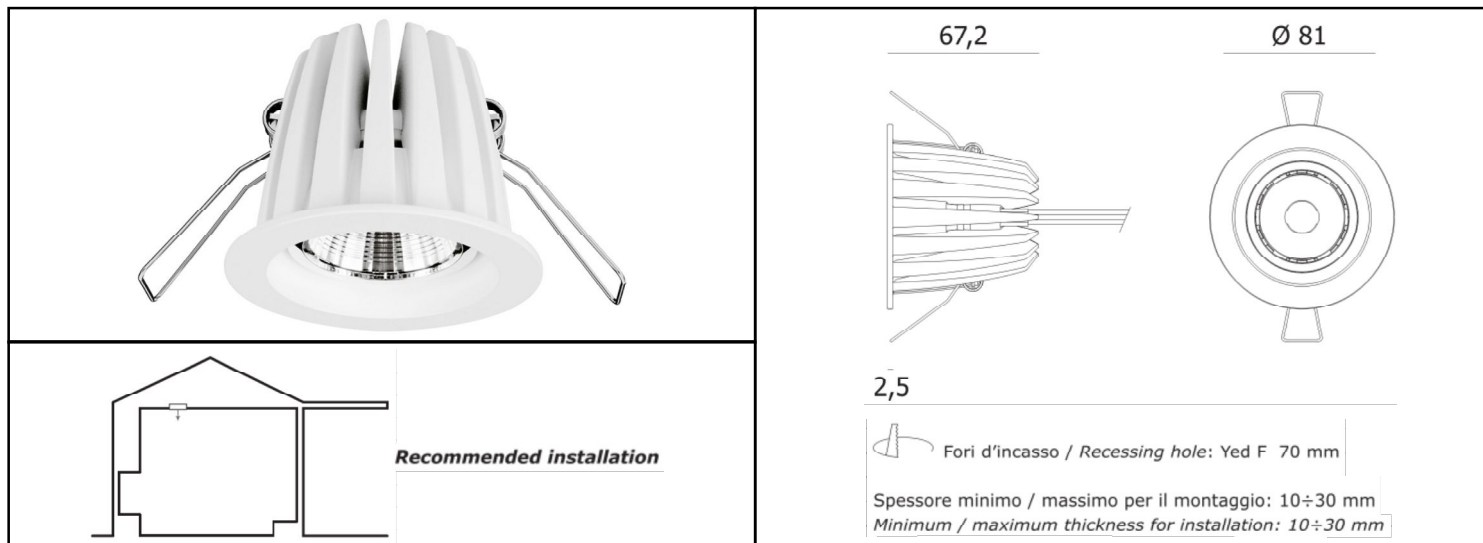


YED F Monochromatic DATA-SHEET



PRODUCT DESCRIPTION:

Family of recessed downlights for indoor applications.
Body Anticorodal aluminium alloy EN AW-6060, stainless steel and glass.
UV resistance of all materials.

TECHNICALS FEATURES:

Materials	Anticorodal aluminium alloy EN AW-6060 ; Stainless steel inox AISI 316L
Body	Die-cast aluminium
Finishes	Painted matt white or black
Fixing springs	Stainless steel inox AISI 316L
Power Supply	350mA ; 500mA constant current
Power	9,5W @350mA ; 14W @500mA
Light Source	COB LED
Color Temperature	2700K ; 3500K
Ra	> 80
Chromatic Selection	Mac-Adam 3-step
Lifetime	> 50000 h (TM21)
Optics	20° ; 40°
Tc metal body	< 90 °C
Ta operating temperature	0 ÷ 35 °C
Ts surface temperature	≤ 65 °C
Functions	On/Off ; dimmable
Cable	UL CSA 1x0,5mm ² AWG20 (Red) L. 0,5m + UL CSA 1x0,5mm ² AWG20 (Black) L. 0,5m
Weigth	190g
Installations	Recessed (false ceiling or panels)
Norms	60598-1 ; 60598-2 and its parts



NOTE:

Power supplies, control&dimming devices and fixing kits must to be orderd separately. Aldabra power supply consumption is equal to 15% of the fixture nominal power.
Photometric data available at www.aldabra.it

YED F Monochromatic DATA-SHEET

GENERAL FEATURES:

	power (W) @350mA	power (W) @500mA
YED.01.XXXXX.X	9,5	14

OPTICAL FEATURES:

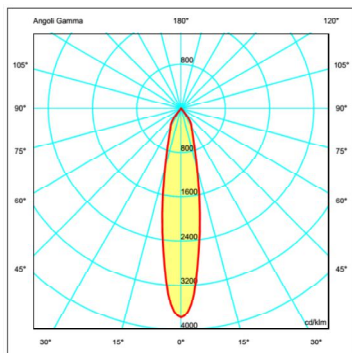
YED.XX.MXXXX.X	Narrow beam 20°
YED.XX.WXXXX.X	Wide beam 40°

LED FEATURES:

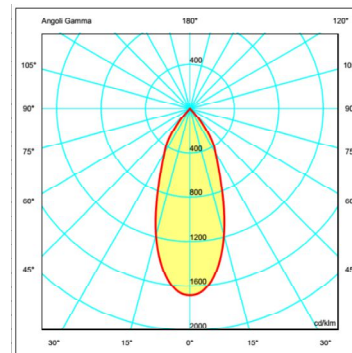
	Power LED	lm/W	Ra	Chromatic selection
YED.XX.X27XX.X	2700K warm white	108	>80	MacAdam 3-step
YED.XX.X35XX.X	3500K neutral white	116	>80	MacAdam 3-step

FINISHES FEATURES:

YED.XX.XXXW1.X	Painted white
YED.XX.XXXB1.X	Painted black

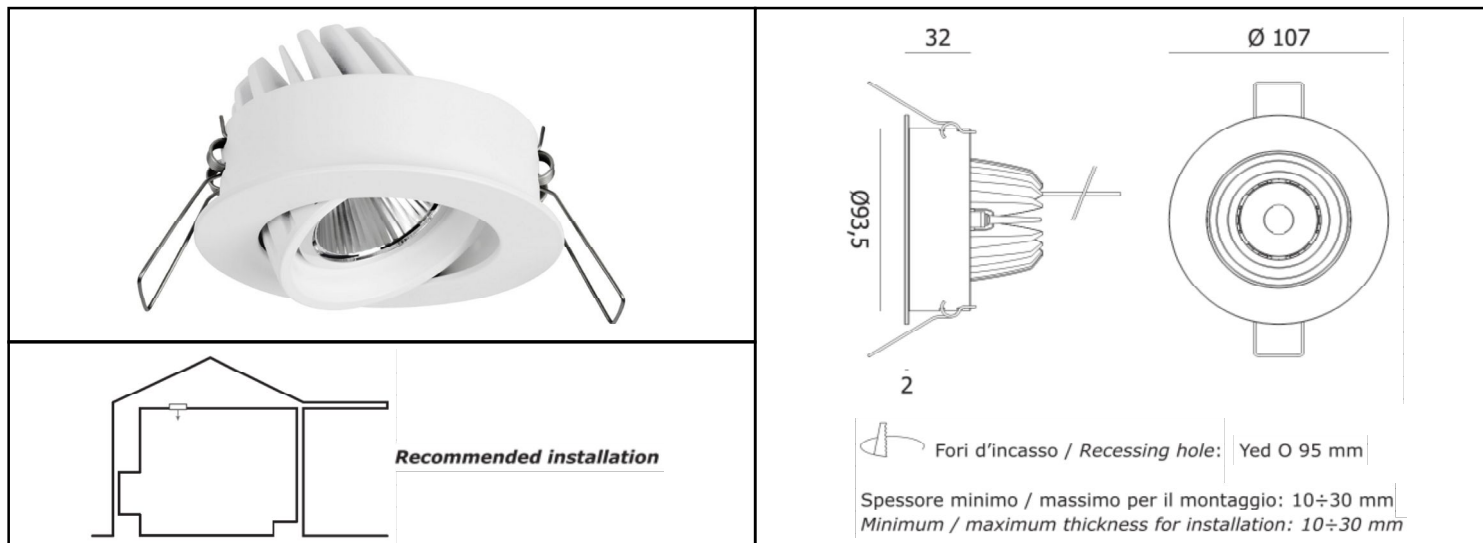


Narrow beam 20°



Wide beam 40°

YED O Monochromatic DATA-SHEET



PRODUCT DESCRIPTION:

Family of recessed adjustable downlights for indoor applications.
Body Anticorodal aluminium alloy EN AW-6060, stainless steel and glass.
UV resistance of all materials.

TECHNICALS FEATURES:

Materials	Anticorodal aluminium alloy EN AW-6060 ; Stainless steel inox AISI 316L
Body	Die-cast aluminium
Finishes	Painted matt white or black
Fixing springs	Stainless steel inox AISI 316L
Power Supply	350mA ; 500mA constant current
Power	9,5W @350mA ; 14W @500mA
Light Source	COB LED
Color Temperature	2700K ; 3500K
Ra	> 80
Chromatic Selection	Mac-Adam 3-step
Lifetime	> 50000 h (TM21)
Optics	20° ; 40°
Tc metal body	< 90 °C
Ta operating temperature	0 ÷ 35 °C
Ts surface temperature	≤ 65 °C
Functions	On/Off ; dimmable
Cable	UL CSA 1x0,5mm ² AWG20 (Red) L. 0,5m + UL CSA 1x0,5mm ² AWG20 (Black) L. 0,5m
Weigth	315g
Installations	Recessed (false ceiling or panels)
Norms	60598-1 ; 60598-2 and its parts



NOTE:

Power supplies, control&dimming devices and fixing kits must to be orderd separately. Aldabra power supply consumption is equal to 15% of the fixture nominal power.
Photometric data available at www.aldabra.it

YED O Monochromatic DATA-SHEET

GENERAL FEATURES:

	power (W) @350mA	power (W) @500mA
YED.02.XXXXX.X	9,5	14

OPTICAL FEATURES:

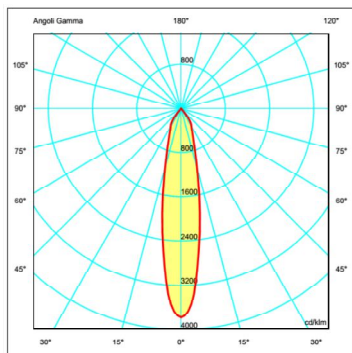
YED.XX.MXXXX.X	Narrow beam 20°
YED.XX.WXXXX.X	Wide beam 40°

LED FEATURES:

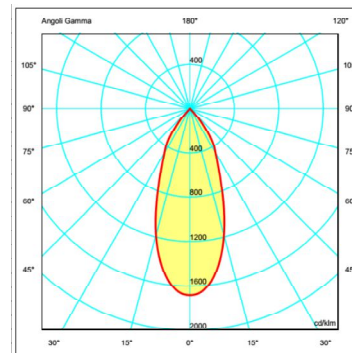
	Power LED	lm/W	Ra	Chromatic selection
YED.XX.X27XX.X	2700K warm white	108	>80	MacAdam 3-step
YED.XX.X35XX.X	3500K neutral white	116	>80	MacAdam 3-step

FINISHES FEATURES:

YED.XX.XXXW1.X	Painted white
YED.XX.XXXB1.X	Painted black

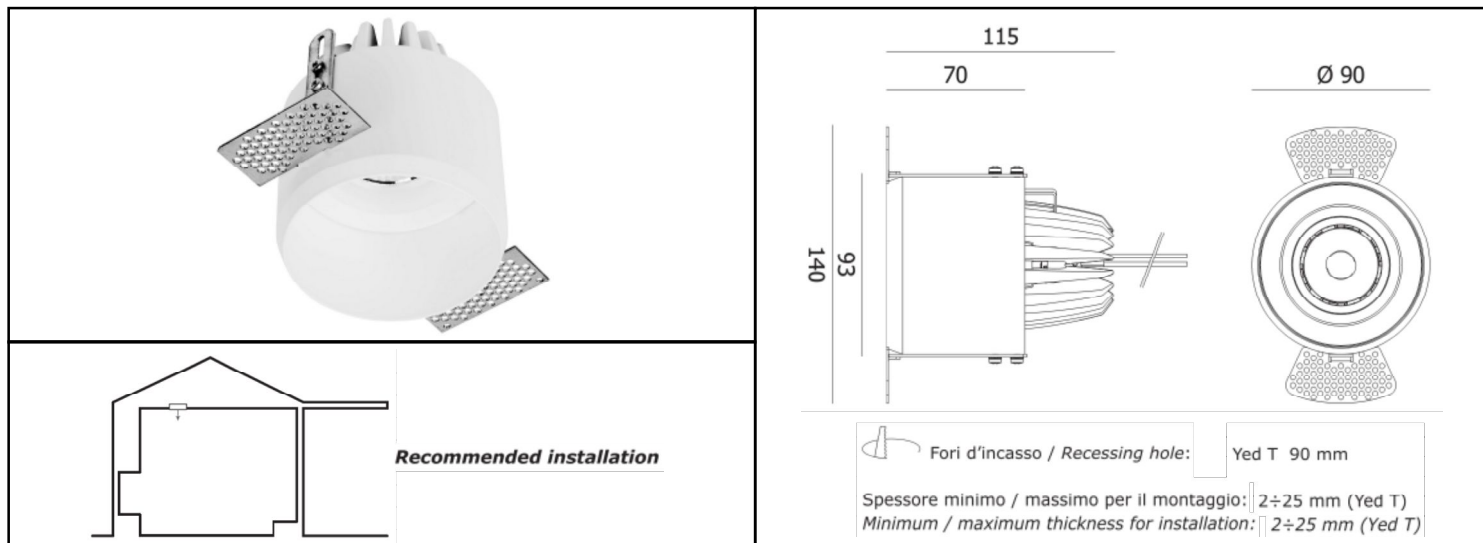


Narrow beam 20°



Wide beam 40°

YED T Monochromatic DATA-SHEET



PRODUCT DESCRIPTION:

Family of recessed downlights for indoor applications.
Body Anticorodal aluminium alloy EN AW-6060, stainless steel and glass.
UV resistance of all materials.

TECHNICALS FEATURES:

Materials	Anticorodal aluminium alloy EN AW-6060 ; Stainless steel inox AISI 316L
Body	Die-cast aluminium
Finishes	Painted matt white or black
Fixing springs	Stainless steel inox AISI 316L
Power Supply	350mA ; 500mA constant current
Power	9,5W @350mA ; 14W @500mA
Light Source	COB LED
Color Temperature	2700K ; 3500K
Ra	> 80
Chromatic Selection	Mac-Adam 3-step
Lifetime	> 50000 h (TM21)
Optics	20° ; 40°
Tc metal body	< 90 °C
Ta operating temperature	0 ÷ 35 °C
Ts surface temperature	≤ 65 °C
Functions	On/Off ; dimmable
Cable	UL CSA 1x0,5mm ² AWG20 (Red) L. 0,5m + UL CSA 1x0,5mm ² AWG20 (Black) L. 0,5m
Weigth	460g
Installations	Recessed (false ceiling or panels)
Norms	60598-1 ; 60598-2 and its parts



NOTE:

Power supplies, control&dimming devices and fixing kits must to be orderd separately. Aldabra power supply consumption is equal to 15% of the fixture nominal power.
Photometric data available at www.aldabra.it

YED T Monochromatic DATA-SHEET

GENERAL FEATURES:

	power (W) @350mA	power (W) @500mA
YED.03.XXXXX.X	9,5	14

OPTICAL FEATURES:

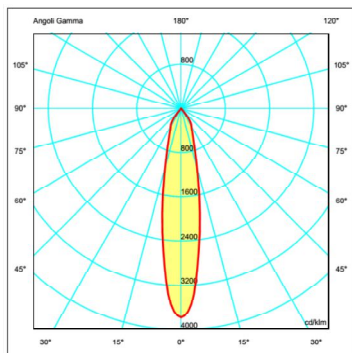
YED.XX.MXXXX.X	Narrow beam 20°
YED.XX.WXXXX.X	Wide beam 40°

LED FEATURES:

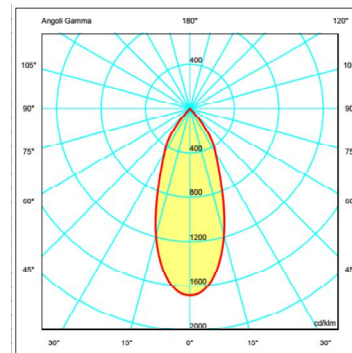
	Power LED	lm/W	Ra	Chromatic selection
YED.XX.X27XX.X	2700K warm white	108	>80	MacAdam 3-step
YED.XX.X35XX.X	3500K neutral white	116	>80	MacAdam 3-step

FINISHES FEATURES:

YED.XX.XXXW1.X	Painted white
YED.XX.XXXB1.X	Painted black



Narrow beam 20°



Wide beam 40°