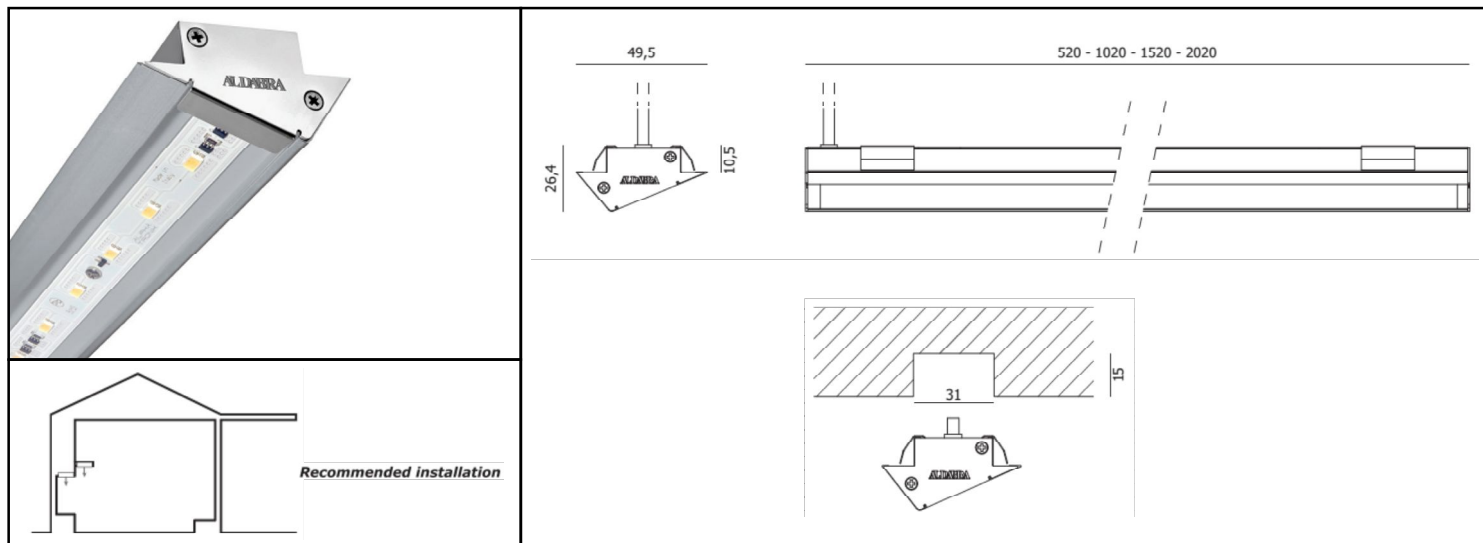


TYPO Monochromatic DATA-SHEET



PRODUCT DESCRIPTION:

Professional semi-recessed lighting system for indoor applications.
Body Anticorodal aluminium alloy EN AW-6060, stainless steel.
UV resistance of all materials.

TECHNICALS FEATURES:

Materials	Anticorodal aluminium alloy EN AW-6060 ; Stainless steel inox AISI 316L
Body	Anticorodal aluminium alloy EN AW-6060
Finishes	anodized or painted white aluminium
End caps	Stainless steel inox AISI 316L
Fixing springs	Stainless steel inox AISI 316L
Screws	Stainless steel inox AISI 316L
Power Supply	24 Vdc constant voltage
Power	21 W/m pitch 25mm ; Plus 42 W/m pitch 25 mm
Light Source	Mid Power LED
Color Temperature	2700K ; 4000K
Ra	> 80
Chromatic Selection	Mac-Adam 3-step
Lifetime	> 50000 h (TM21)
Optics	Asymmetric
Tc metal body	< 90 °C
Ta operating temperature	0 ÷ 35 °C
Ts surface temperature	≤ 65 °C
Functions	On/Off ; dimmable
Cable	AD8 PBS8-F 3x0,5 mm ² (white, black, green) Ø 4,2 mm
Weight	540g
Installations	Recessed (shelf)
Norms	60598-1 ; 60598-2 and its parts



NOTE:

Power supplies, control interfaces and dimming to be orderd separately. Aldabra driver consumption is equal to 15% of the fixture nominal power.
Photometric data available at www.aldabra.it

TYPO Monochromatic DATA-SHEET

GENERAL FEATURES:

	power (W)	Length	pitch
TYP.01.XXXXX.X	11	520	25
TYP.02.XXXXX.X	21	1020	25
TYP.03.XXXXX.X	32	1520	25
TYP.04.XXXXX.X	41	2020	25
TYP.05.XXXXX.X	22	520	25
TYP.06.XXXXX.X	42	1020	25
TYP.07.XXXXX.X	64	1520	25
TYP.08.XXXXX.X	82	2020	25

OPTICAL FEATURES:

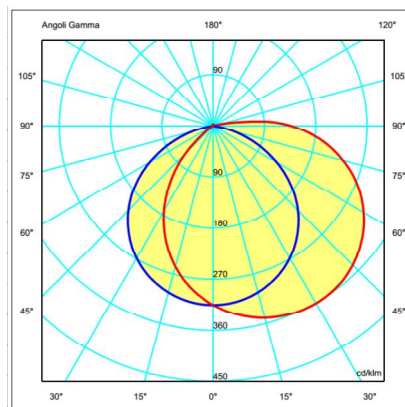
TYP.XX.TXXXX.X	Transparent screen
----------------	--------------------

LED FEATURES:

	Mid Power LED	lm/W	Ra	Chromatic selection
TYP.XX.X27XX.X	2700K warm white	100	>80	MacAdam 3-step
TYP.XX.X40XX.X	4000K neutral white	130	>80	MacAdam 3-step

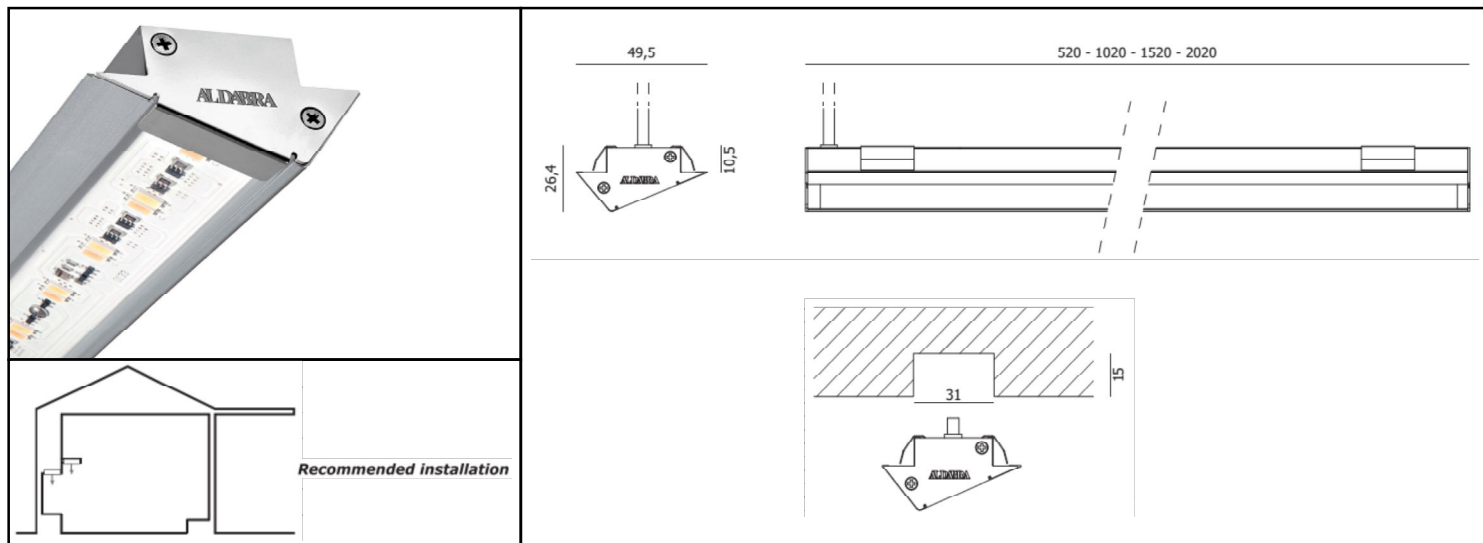
FINISHES FEATURES:

TYP.XX.XXXA1.X	Anodized aluminium
TYP.XX.XXXW1.X	Painted white



Transparent screen

TYPO DWS DATA-SHEET



PRODUCT DESCRIPTION:

Professional semi-recessed lighting system for indoor applications.
Body Anticorodal aluminium alloy EN AW-6060, stainless steel.
UV resistance of all materials.

TECHNICALS FEATURES:

Materials	Anticorodal aluminium alloy EN AW-6060 ; Stainless steel inox AISI 316L
Body	Anticorodal aluminium alloy EN AW-6060
Finishes	anodized or painted white aluminium
End caps	Stainless steel inox AISI 316L
Fixing springs	Stainless steel inox AISI 316L
Screws	Stainless steel inox AISI 316L
Power Supply	24 Vdc constant voltage
Power	42 W/m pitch 25 mm
Light Source	Mid Power LED
Color Temperature	DWS 2700K ÷ 4000K
Ra	> 80
Chromatic Selection	Mac-Adam 3-step
Lifetime	> 50000 h (TM21)
Optics	Asymmetric
Tc metal body	< 90 °C
Ta operating temperature	0 ÷ 40 °C
Ts surface temperature	≤ 65 °C
Functions	On/Off ; dimmable
Cable	Flameproof FROR cable 2x0,75 mm ² (white-black) + 2x0,25 mm ² (G-B) Ø 6,5 mm L.1 m
Weigth	540g
Installations	Recessed (shelf)
Norms	60598-1 ; 60598-2 and its parts



NOTE:

Power supplies, control interfaces and dimming to be orderd separately. Aldabra driver consumption is equal to 15% of the fixture nominal power.
Photometric data available at www.aldabra.it

TYPO DWS DATA-SHEET

GENERAL FEATURES:

	power (W)	Length	pitch
TYP.01.XXXXX.X	22	520	25
TYP.02.XXXXX.X	42	1020	25
TYP.03.XXXXX.X	64	1520	25
TYP.04.XXXXX.X	82	2020	25

OPTICAL FEATURES:

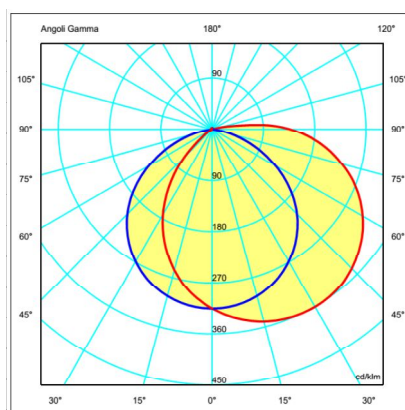
TYP.XX.TXXXX.X	Transparent screen
----------------	--------------------

LED FEATURES:

	Mid Power LED	lm/W	Ra	Chromatic selection
TYP.XX.X 98 XX.X	DWS 2700K ÷ 4000K	100÷130	>80	MacAdam 3-step

FINISHES FEATURES:

TYP.XX.XXX A1 .X	Anodized aluminium
TYP.XX.XXX W1 .X	Painted white



Transparent screen