

TENN

fluxwood



^ Bespoke Blackbean

TENN



Tenn has a sleek shape which perfectly mirrors the rounded profile shape of the LED light source. It gets its name from the angle at which the profile is routed, a crisp Ten degrees. It is a modern, yet classic design showing the beauty of solid timber. Tenn lends itself well to a variety of spaces but looks particularly stunning above residential kitchen islands and dining tables. Available in lengths up to 2m in bespoke hardwoods and lighting specifications.

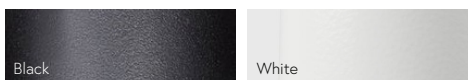
Application	Interior Use Only. Must be installed by a licensed electrician.
Size	40 x 45mm
Standard Lengths	1200 / 1800 / 2000mm
Bespoke Lengths	Order in increments of 100mm. Max. length 2000mm
Material	Solid Hardwood, Aluminium, Opal Acrylic, Integral LED Lighting
Input Power	240V - 24VDC Transformer
CRI	90
CCT	2700K, 3000K, 4000K
Wattage	19 Watts per metre
Lumens	750 Lumens per metre
Dimming	Leading/Trailing, Dali, 1-10V DC
Mounting	3mm Conductive Cable in Black or Silver
Lead Time	4 weeks for in-stock pendants, 12 weeks for custom builds. Made in Australia

Ordering Options

Timber



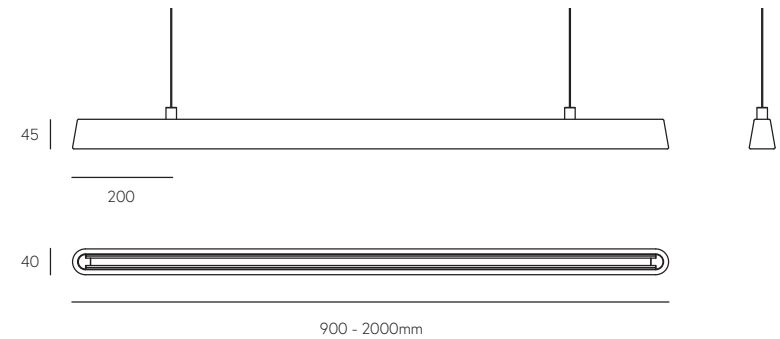
Trim



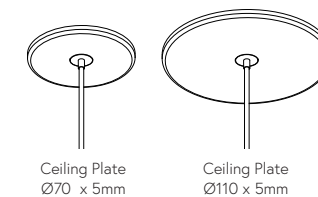
Please specify your order using the codes below (example TN - B - L12 - 1 - 27K - TR - 70W - CS - 2.5m)

Fitting	Timber Selection	Length	Trim Colour	CCT	Dimming Options	Mounting	Cable Colour	Drop Length
TN	Tasmanian Blackwood (B) Victorian Ash (VA) Spotted Gum (SG) Custom (C)	1200mm (L12) 1800mm (L18) 2000mm (L20) Custom (L_m)	White (1) Black (2)	2700K (27K) 3000K (3K) 4000K (4K)	Leading/Trailing (TR) Dali Dim (DD) 1-10V DC Control (DC)	Ø70mm White (70W) Ø70mm Black (70B) Ø110mm White (110W) Ø110mm Black (110B)	Silver (CS) Black (CB)	1.5m Standard (1.5) Custom (L_m)

Dimensions



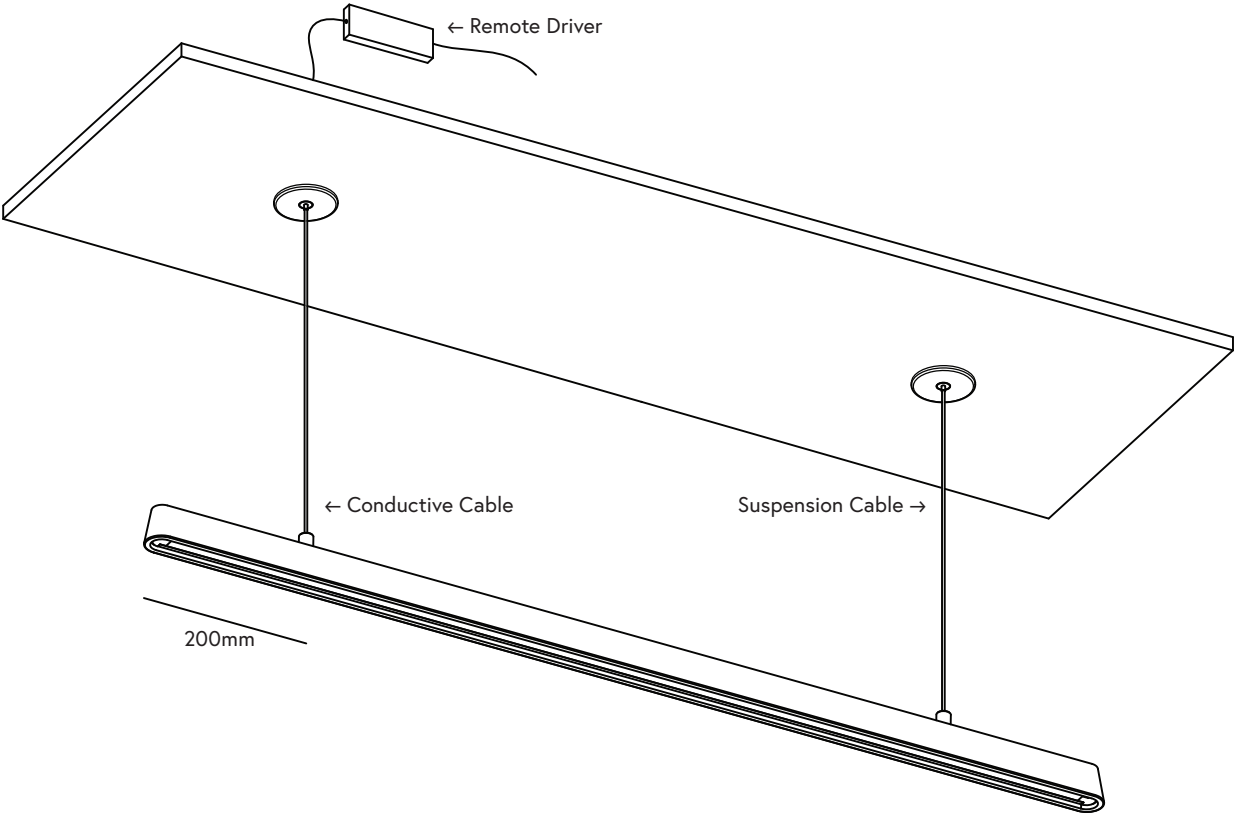
Mounting



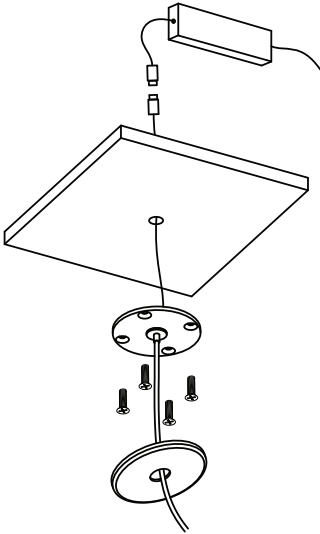
TENN Install Instructions



Pendant Installation

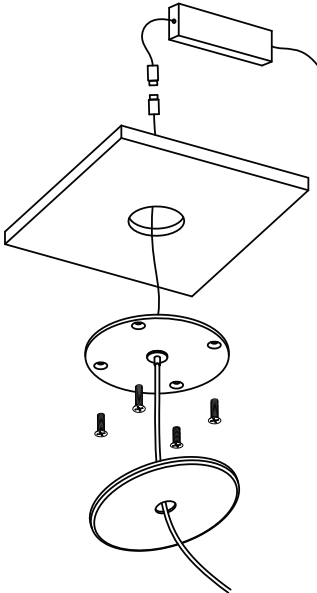


Mounting Plate Options



Ceiling Plate
Ø70 x 5mm

Suitable for full ceiling access to place the remote driver from above.



Ceiling Plate
Ø110 x 5mm

Suitable for limited ceiling access to place the remote driver from below.