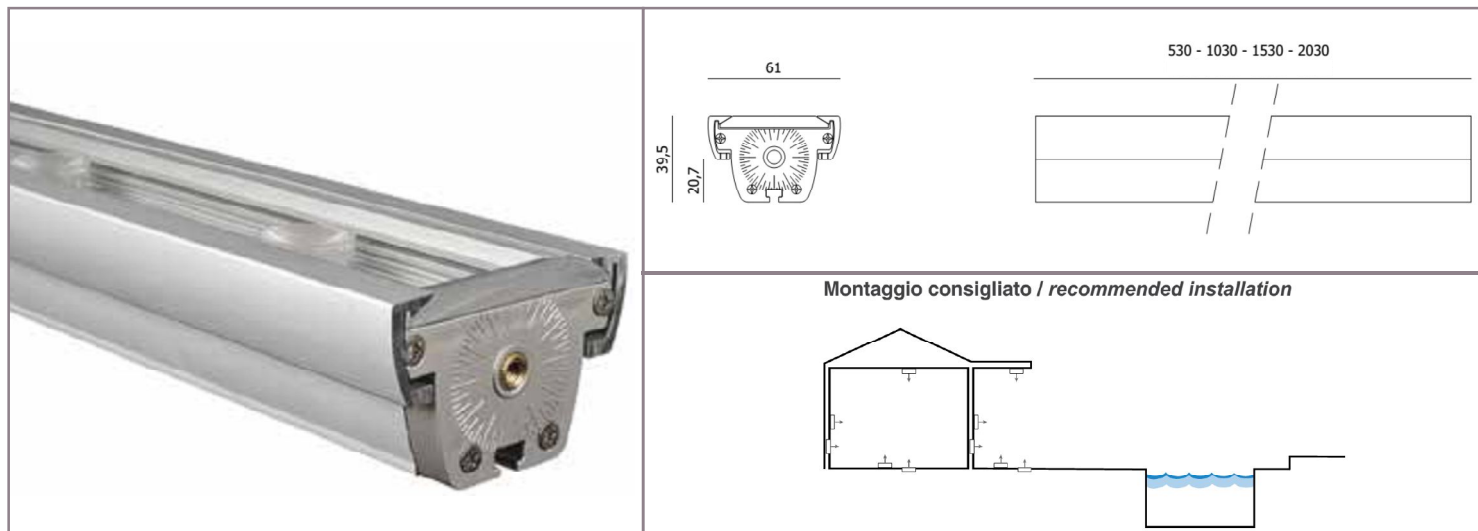


STRATO Power LED 1W Monochromatic DATA-SHEET



PRODUCT DESCRIPTION:

High performance professional lighting system for indoor and outdoor wall grazing. Advanced optical glare control. Body finished aluminum anodized, with 5mm transparent PMMA. UV resistance of all materials.

TECHNICALS FEATURES:

Materials	Aluminium ANTICORODAL EN AW-6060 galvanized 20 micron ; Stainless steel AISI 316L ; 5mm Transparent PMMA
Finishes	Anodized aluminium
Power Supply	24 Vdc constant voltage
Power	22 W/m (pitch 50) ; 12 W/m (pitch 100)
Light Source	Power LED
Pitch	50 mm ; 100 mm
Color Temperature	2700 K ; 3000 K ; 4000 K
Ra	> 80
Chromatic Selection	Mac-Adam 2-step
Lifetime	> 50000 h (TM21)
Optics	9° ; 24° ; 43° ; elliptical 40°x15° ; transparent diffusor ; elliptical+louver 38°x15°
Tc metal body	< 90 °C
Ta operating temperature	- 30 ÷ 50 C°
Ts surface temperature	≤ 65 °C
Functions	On/Off ; dimmable
Cable	AWM style 20233 2xAWG18 (Red;Black)+1xAWG20 (Violet) L. 1 m.
Weigth	2 Kg/m
Installations	Recessed (wall, floor) - surface mounted (wall, floor, ceiling)
Norms	60598-1 ; 60598-2 and its parts



NOTE:

Power supplies, control&dimming devices and fixing kits must to be orderd separately. Aldabra power supply consumption is equal to 15% of the fixture nominal power. Photometric data available at www.aldabra.it

STRATO Power LED 1W Monochromatic DATA-SHEET

GENERAL FEATURES:

	power (W)	length (mm)	pitch (mm)
STR.01.XXXXX.X	6	530	100
STR.02.XXXXX.X	12	1030	100
STR.03.XXXXX.X	17	1530	100
STR.04.XXXXX.X	23	2030	100
STR.09.XXXXX.X	11	530	50
STR.10.XXXXX.X	22	1030	50
STR.11.XXXXX.X	33	1530	50
STR.12.XXXXX.X	44	2030	50

OPTICAL FEATURES:

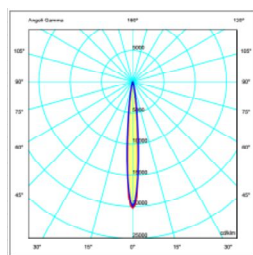
STR.XX.MXXXX.X	Narrow beam 9°
STR.XX.FXXXX.X	Medium beam 24°
STR.XX.WXXXX.X	Wide beam 43°
STR.XX.EXXXX.X	Elliptical 40°x15°
STR.XX.TXXXX.X	Transparent diffuser 82°
STR.XX.UXXXX.X	Elliptical+louver 38°x15°

LED FEATURES:

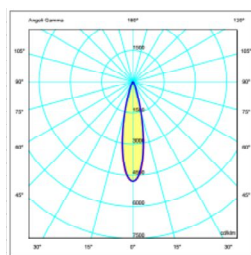
	Power LED	lm/W	Ra	Chromatic selection
STR.XX.X27XX.X	2700K warm white	105	>80	MacAdam 2-step
STR.XX.X30XX.X	3000K warm white	118	>80	MacAdam 2-step
STR.XX.X40XX.X	4000K neutral white	130	>80	MacAdam 2-step

FINISHES FEATURES:

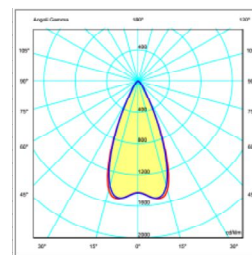
STR.XX.XXXA1.X	Anodized aluminium
----------------	--------------------



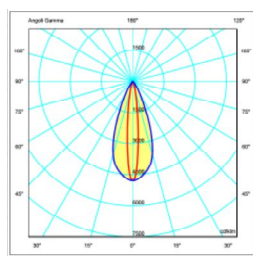
Narrow beam 9°



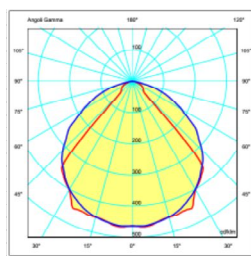
Narrow beam 24°



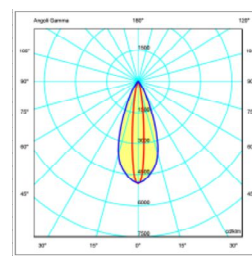
Narrow beam 43°



Elliptical 40°x13°

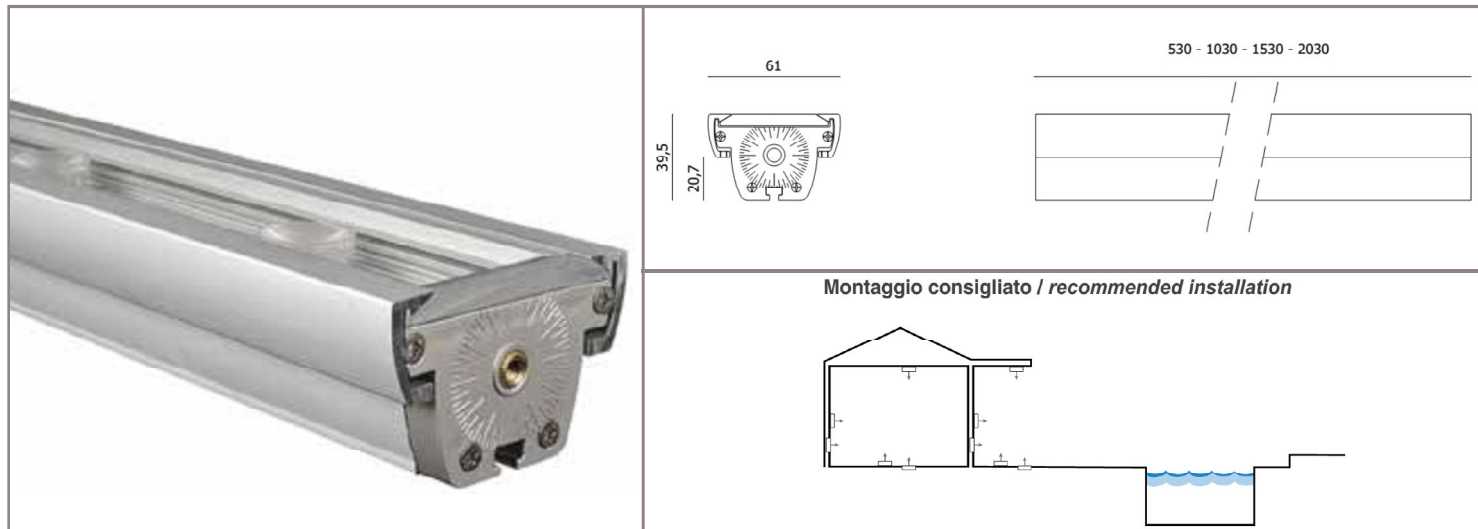


Transparent diffuser 82°



Elliptical+Louver 38°x13°

STRATO Power LED 2W Monochromatic DATA-SHEET



PRODUCT DESCRIPTION:

High performance professional lighting system for indoor and outdoor wall grazing. Advanced optical glare control. Body finished aluminum anodized, with 5mm transparent PMMA. UV resistance of all materials.

TECHNICALS FEATURES:

Materials	Aluminium ANTICORODAL EN AW-6060 galvanized 20 micron ; Stainless steel AISI 316L ; 5mm Transparent PMMA
Finishes	Anodized aluminium
Power Supply	24 Vdc constant voltage
Power	44 W/m (pitch 50) ; 24 W/m (pitch 100)
Light Source	Power LED
Pitch	50 mm ; 100 mm
Color Temperature	2700 K ; 3000 K ; 4000 K
Ra	> 80
Chromatic Selection	Mac-Adam 2-step
Lifetime	> 50000 h (TM21)
Optics	9° ; 24° ; 43° ; elliptical 40°x13° ; transparent diffusor 82°
Tc metal body	< 90 °C
Ta operating temperature	- 30 ÷ 50 C°
Ts surface temperature	≤ 65 °C
Functions	On/Off ; dimmable
Cable	AWM style 20233 2xAWG18 (Red;Black)+1xAWG20 (Violet) L. 1 m.
Weigth	2 Kg/m
Installations	Recessed (wall, floor) - surface mounted (wall, floor, ceiling)
Norms	60598-1 ; 60598-2 and its parts



NOTE:

Power supplies, control&dimming devices and fixing kits must to be orderd separately. Aldabra power supply consumption is equal to 15% of the fixture nominal power. Photometric data available at www.aldabra.it

STRATO Power LED 2W Monochromatic DATA-SHEET

GENERAL FEATURES:

	power (W)	length (mm)	pitch (mm)
STR.05.XXXXX.X	12	530	100
STR.06.XXXXX.X	24	1030	100
STR.07.XXXXX.X	35	1530	100
STR.08.XXXXX.X	47	2030	100
STR.13.XXXXX.X	22	530	50
STR.14.XXXXX.X	44	1030	50
STR.15.XXXXX.X	70	1530	50
STR.16.XXXXX.X	94	2030	50

OPTICAL FEATURES:

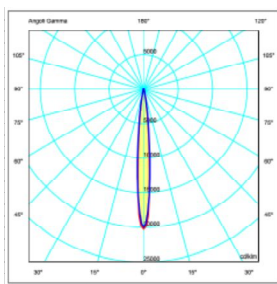
STR.XX.MXXXX.X	Narrow beam 9°
STR.XX.FXXXX.X	Medium beam 24°
STR.XX.WXXXX.X	Wide beam 43°
STR.XX.EXXXX.X	Elliptical 40°x15°
STR.XX.TXXXX.X	Transparent diffuser 82°

LED FEATURES:

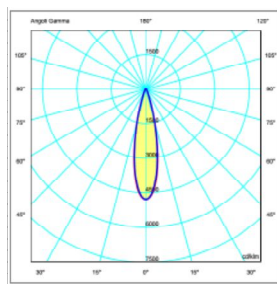
	Power LED	lm/W	Ra	Chromatic selection
STR.XX.X27XX.X	2700K warm white	105	>80	MacAdam 2-step
STR.XX.X30XX.X	3000K warm white	118	>80	MacAdam 2-step
STR.XX.X40XX.X	4000K neutral white	130	>80	MacAdam 2-step

FINISHES FEATURES:

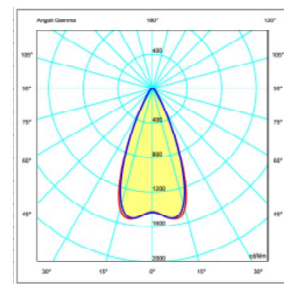
STR.XX.XXXA1.X	Anodized aluminium
----------------	--------------------



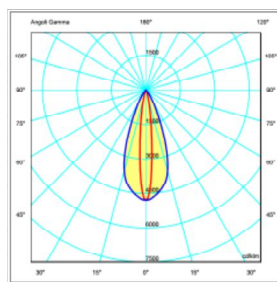
Narrow beam 9°



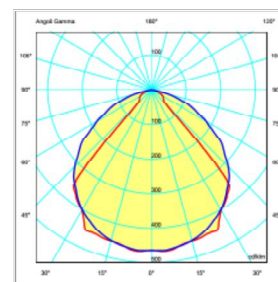
Narrow beam 24°



Narrow beam 43°

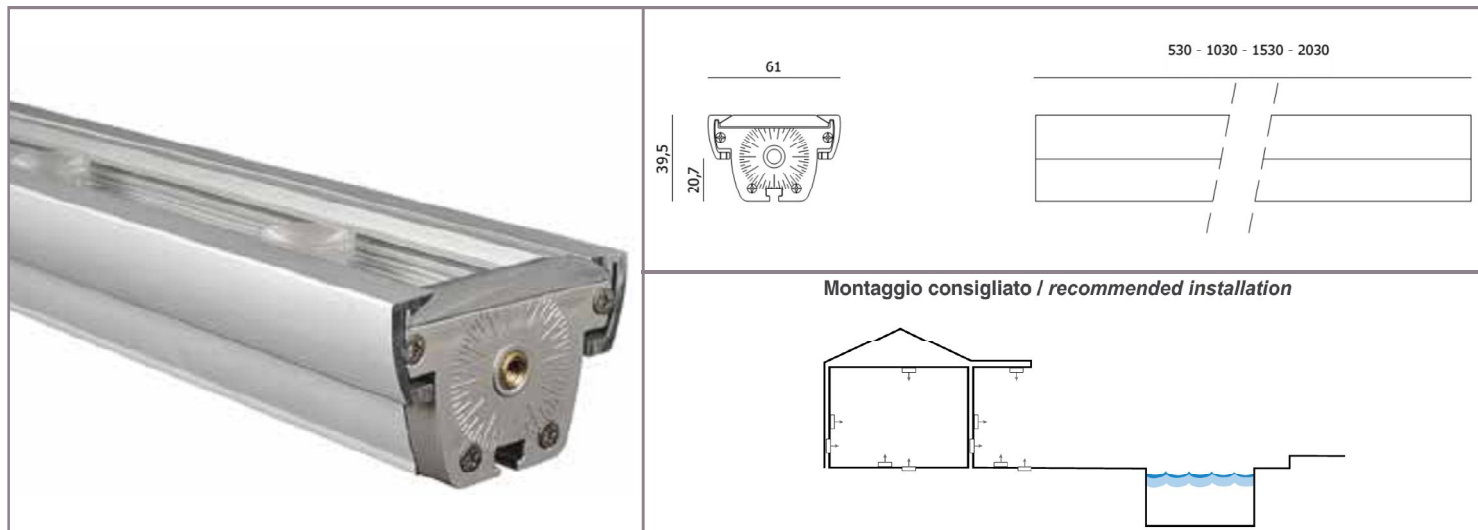


Elliptical 40°x13°



Transparent diffuser 82°

STRATO Mid Power LED Monochromatic DATA-SHEET



PRODUCT DESCRIPTION:

High performance professional lighting system for indoor and outdoor wall grazing. Advanced optical glare control. Body finished aluminum anodized, with 5mm transparent PMMA. UV resistance of all materials.

TECHNICALS FEATURES:

Materials	Aluminium ANTICORODAL EN AW-6060 galvanized 20 micron ; Stainless steel AISI 316L ; 5mm Transparent PMMA
Finishes	Anodized aluminium
Power Supply	24 Vdc constant voltage
Power	12 W/m
Light Source	Mid Power LED
Pitch	20 mm
Color Temperature	2700 K ; 3000 K ; 4000 K
Ra	> 80
Chromatic Selection	Mac-Adam 3-step
Lifetime	> 50000 h (TM21)
Optics	Opal diffusor 113°
Tc metal body	< 90 °C
Ta operating temperature	- 30 ÷ 50 C°
Ts surface temperature	≤ 65 °C
Functions	On/Off ; dimmable
Cable	AWM style 20233 2xAWG18 (Red;Black)+1xAWG20 (Violet) L. 1 m.
Weigth	2 Kg/m
Installations	Recessed (wall, floor) - surface mounted (wall, floor, ceiling)
Norms	60598-1 ; 60598-2 and its parts



NOTE:

Power supplies, control&dimming devices and fixing kits must to be orderd separately. Aldabra power supply consumption is equal to 15% of the fixture nominal power. Photometric data available at www.aldabra.it

STRATO Mid Power LED Monochromatic DATA-SHEET

GENERAL FEATURES:

	power (W)	length (mm)	pitch (mm)
STR.17.XXXXX.X	6	530	20
STR.18.XXXXX.X	12	1030	20
STR.19.XXXXX.X	18	1530	20
STR.20.XXXXX.X	24	2030	20

OPTICAL FEATURES:

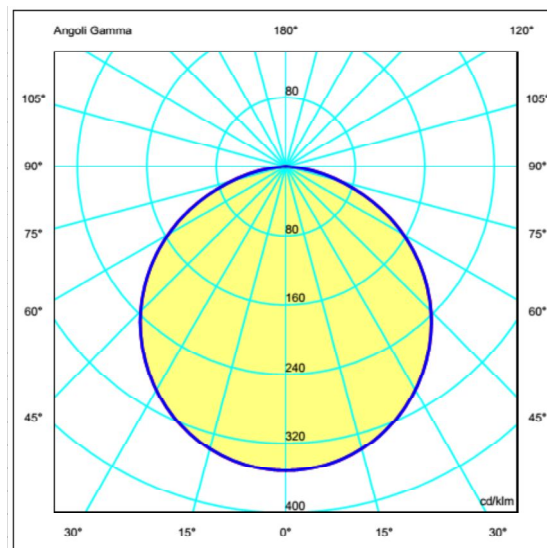
STR.XX.DXXXX.X	Opal diffuser 113°
----------------	--------------------

LED FEATURES:

	Power LED	lm/W	Ra	Chromatic selection
STR.XX.X27XX.X	2700K warm white	105	>80	MacAdam 2-step
STR.XX.X30XX.X	3000K warm white	118	>80	MacAdam 2-step
STR.XX.X40XX.X	4000K neutral white	130	>80	MacAdam 2-step

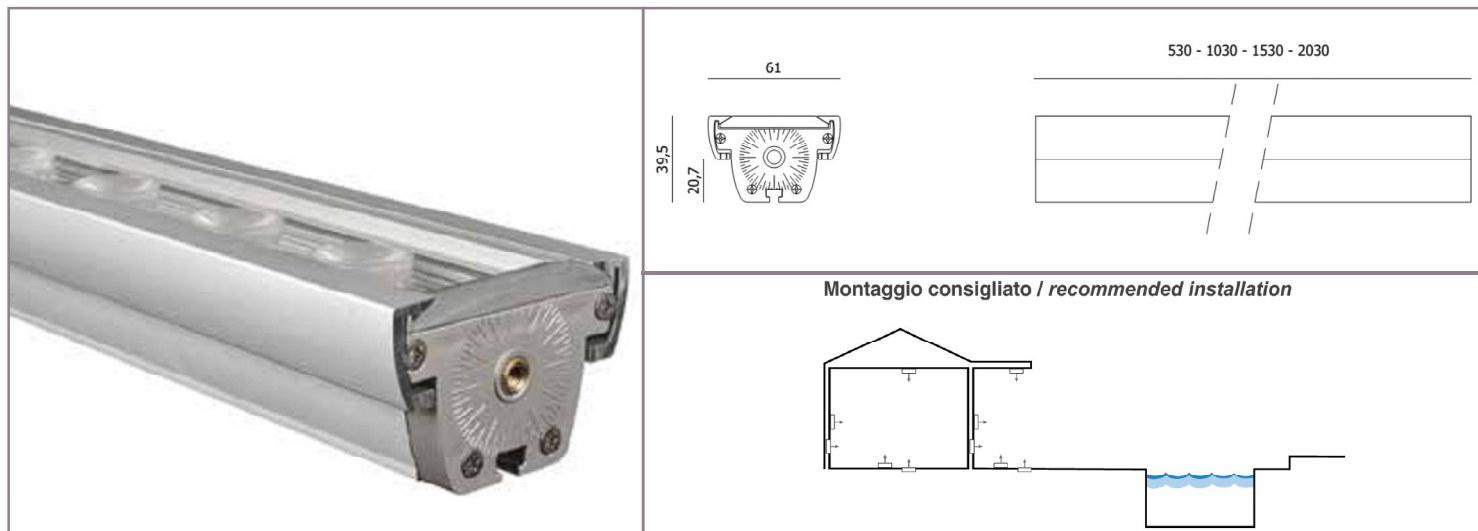
FINISHES FEATURES:

STR.XX.XXXA1.X	Anodized aluminium
----------------	--------------------



Opal diffuser 113°

STRATO Power LED DWS DATA-SHEET



PRODUCT DESCRIPTION:

High performance professional lighting system for indoor and outdoor wall grazing. Advanced optical glare control. Body finished aluminum anodized, with 5mm transparent PMMA. UV resistance of all materials.

TECHNICALS FEATURES:

Materials	Aluminium ANTICORODAL EN AW-6060 galvanized 20 micron ; Stainless steel AISI 316L ; 5mm Transparent PMMA
Finishes	Anodized aluminium
Power Supply	24 Vdc constant voltage
Power	12 W/m
Light Source	Mid Power LED
Pitch	33 mm
Color Temperature	DWS : 2700 K ÷ 5000 K
Ra	> 80
Chromatic Selection	Mac-Adam 2-step
Lifetime	> 50000 h (TM21)
Optics	24° ; 43° ; elliptical 40°x13°
Tc metal body	< 90 °C
Ta operating temperature	- 30 ÷ 50 C°
Ts surface temperature	≤ 65 °C
Functions	On/Off ; dimmable
Cable	AWM style 20233 2xAWG18 (Red;Black)+3xAWG20 (R/b, G/b, B/b) L. 1 m.
Weigth	2 Kg/m
Installations	Recessed (wall, floor) - surface mounted (wall, floor, ceiling)
Norms	60598-1 ; 60598-2 and its parts



NOTE:

Power supplies, control&dimming devices and fixing kits must to be orderd separately. Aldabra power supply consumption is equal to 15% of the fixture nominal power. Photometric data available at www.aldabra.it

STRATO Power LED DWS DATA-SHEET

GENERAL FEATURES:

	power (W)	length (mm)	pitch (mm)
STR.01.XXXXX.X	15	530	33
STR.02.XXXXX.X	29	1030	33
STR.03.XXXXX.X	44	1530	33
STR.04.XXXXX.X	58	2030	33

OPTICAL FEATURES:

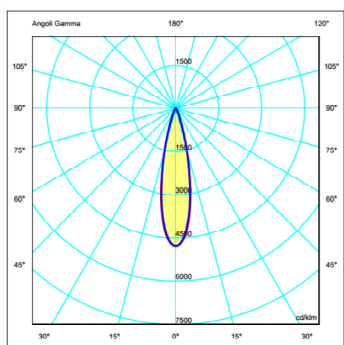
STR.XX. F XXXX.X	Medium beam 24°
STR.XX. W XXXX.X	Wide beam 43°
STR.XX. E XXXX.X	Elliptical 40°x15°

LED FEATURES:

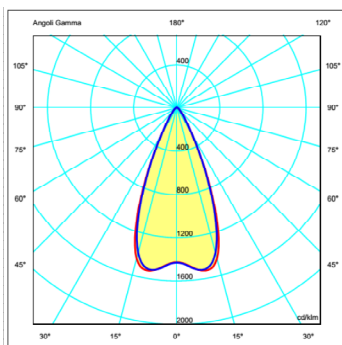
	Power LED	lm/W	Ra	Chromatic selection
STR.XX.X 98 XX.X	DWS 2700K ÷ 5000K	105 ÷ 130	>80	MacAdam 2-step

FINISHES FEATURES:

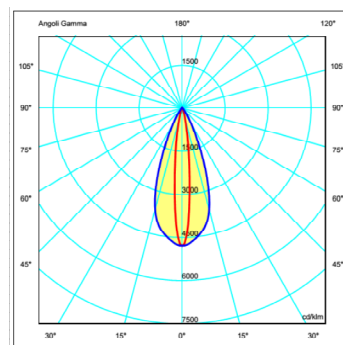
STR.XX.XXX A1 .X	Anodized aluminium
-------------------------	--------------------



Narrow beam 24°

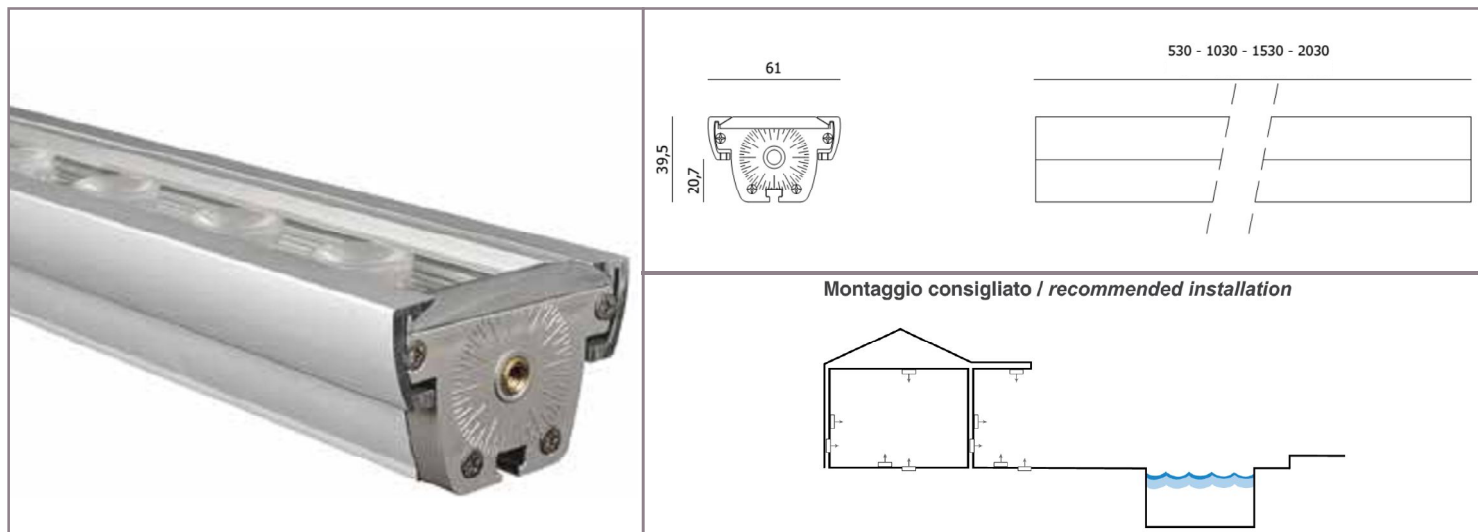


Narrow beam 43°



Elliptical 40°x13°

STRATO Power LED RGB DATA-SHEET



PRODUCT DESCRIPTION:

High performance professional lighting system for indoor and outdoor wall grazing. Advanced optical glare control. Body finished aluminum anodized, with 5mm transparent PMMA. UV resistance of all materials.

TECHNICALS FEATURES:

Materials	Aluminium ANTICORODAL EN AW-6060 galvanized 20 micron ; Stainless steel AISI 316L ; 5mm Transparent PMMA
Finishes	Anodized aluminium
Power Supply	24 Vdc constant voltage
Power	12 W/m
Light Source	Mid Power LED
Pitch	33 mm
Color Temperature	R=622nm, G=530nm, B=470nm
Lifetime	> 50000 h (L80B20)
Optics	9° ; 24° ; 43° ; elliptical 40°x13°
Tc metal body	< 90 °C
Ta operating temperature	- 30 ÷ 50 C°
Ts surface temperature	≤ 65 °C
Functions	On/Off ; dimmable
Cable	AWM style 20233 2xAWG18 (Red;Black)+3xAWG20 (R/b, G/b, B/b) L. 1 m.
Weigth	2 Kg/m
Installations	Recessed (wall, floor) - surface mounted (wall, floor, ceiling)
Norms	60598-1 ; 60598-2 and its parts



NOTE:

Power supplies, control&dimming devices and fixing kits must to be orderd separately. Aldabra power supply consumption is equal to 15% of the fixture nominal power. Photometric data available at www.aldabra.it

STRATO Power LED RGB DATA-SHEET

GENERAL FEATURES:

	power (W)	length (mm)	pitch (mm)
STR.01.XXXXX.X	19	530	33
STR.02.XXXXX.X	39	1030	33
STR.03.XXXXX.X	57	1530	33
STR.04.XXXXX.X	75	2030	33

OPTICAL FEATURES:

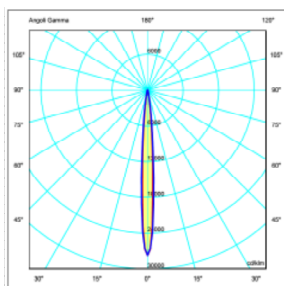
STR.XX.MXXXX.X	Narrow beam 9°
STR.XX.FXXXX.X	Medium beam 24°
STR.XX.WXXXX.X	Wide beam 43°
STR.XX.EXXXX.X	Elliptical 40°x13°

LED FEATURES:

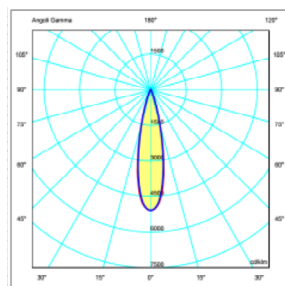
	Power LED	lm/W	Ra	Chromatic selection
STR.XX.X90XX.X	R, G, B	105 ÷ 130	>80	MacAdam 2-step

FINISHES FEATURES:

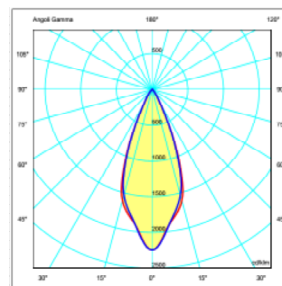
STR.XX.XXXA1.X	Anodized aluminium
----------------	--------------------



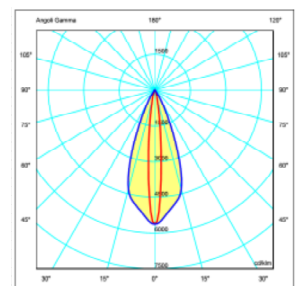
Narrow beam 9°



Medium beam 24°

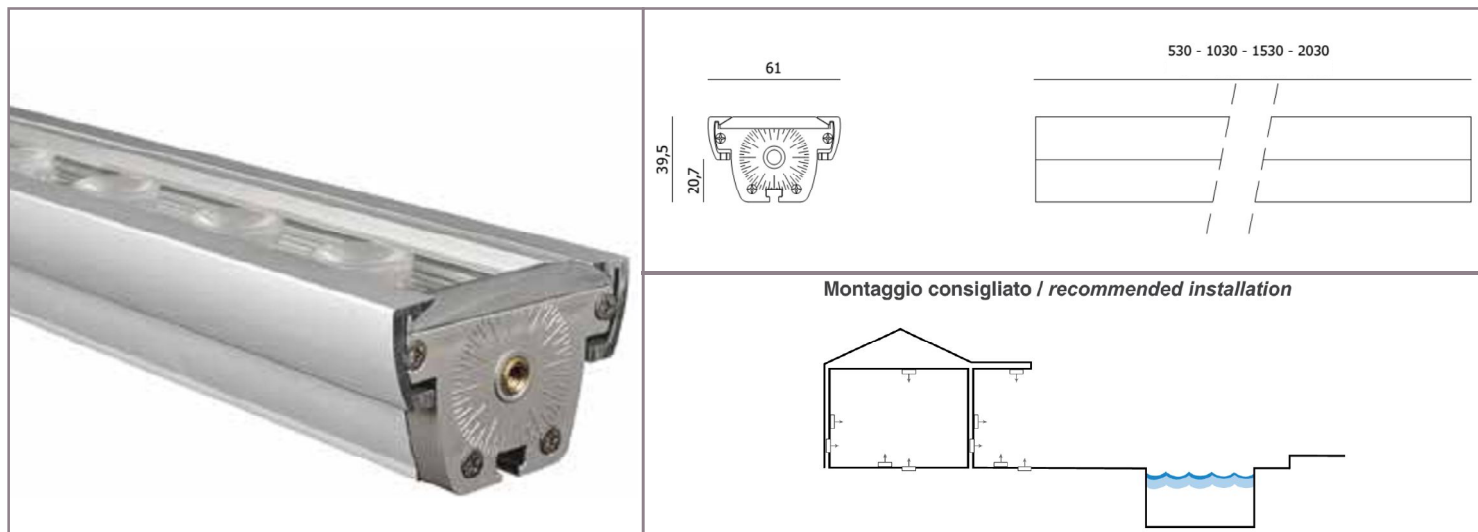


Wide beam 43°



Elliptical 40°x13°

STRATO Power LED RGB move DATA-SHEET



PRODUCT DESCRIPTION:

High performance professional lighting system for indoor and outdoor wall grazing. Advanced optical glare control. Body finished aluminum anodized, with 5mm transparent PMMA. UV resistance of all materials.

TECHNICALS FEATURES:

Materials	Aluminium ANTICORODAL EN AW-6060 galvanized 20 micron ; Stainless steel AISI 316L ; 5mm Transparent PMMA
Finishes	Anodized aluminium
Power Supply	24 Vdc constant voltage
Power	80 W/m
Light Source	Power LED
Pitch	50 mm
Color Temperature	R=622nm, G=530nm, B=470nm
Lifetime	> 50000 h (L80B20)
Optics	45° ; transparent diffuser 82° ; opal diffuser 113°
Tc metal body	< 90 °C
Ta operating temperature	- 30 ÷ 50 C°
Ts surface temperature	≤ 65 °C
Functions	On/Off ; dimmable
Cable	In: AWM style 20233 2xAWG18 (Red;Black)+2xAWG20 (R/b, B/b) L. 1 m. Out: AWM style 20233 2xAWG18 (Red;Black) L. 1 m.
Weigth	2 Kg/m
Installations	Recessed (wall, floor) - surface mounted (wall, floor, ceiling)
Norms	60598-1 ; 60598-2 and its parts



AQA
STOPLEX

850°C

Schermo in policarbonato su richiesta
Polycarbonate screen on request

A A+ A++

NOTE:

Power supplies, control&dimming devices and fixing kits must to be orderd separately. Aldabra power supply consumption is equal to 15% of the fixture nominal power. Photometric data available at www.aldabra.it

STRATO Power LED RGB move DATA-SHEET

GENERAL FEATURES:

	power (W)	length (mm)	pitch (mm)
STR.09.XXXXX.X	40	530	50
STR.10.XXXXX.X	80	1030	50
STR.11.XXXXX.X	120	1530	50

OPTICAL FEATURES:

STR.XX. W XXXX.X	Wide beam 43°
STR.XX. T XXXX.X	Transparent diffuser 82°
STR.XX. D XXXX.X	Opal diffuser 113°

LED FEATURES:

	Power LED
STR.XX.X 92 XX.X	R, G, B

FINISHES FEATURES:

STR.XX.XXX A1 .X	Anodized aluminium
-------------------------	--------------------

