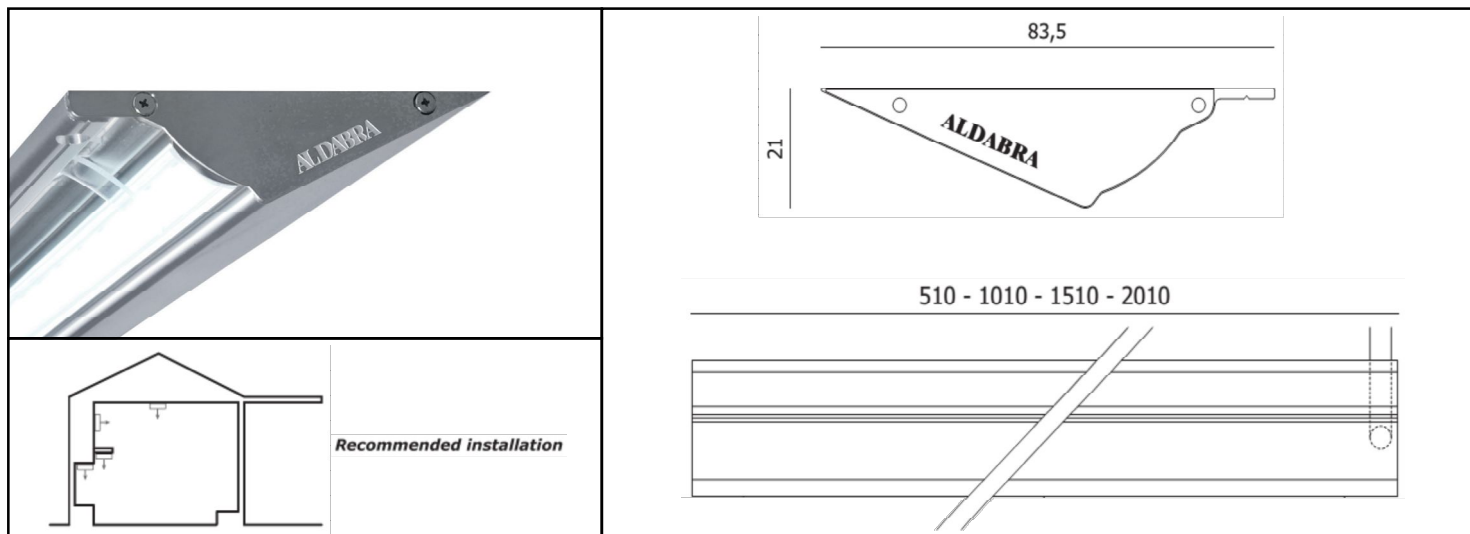


## SLIM Monochromatic DATA-SHEET



### PRODUCT DESCRIPTION:

Professional surface mounted linear lighting system for indoor applications.  
Body finished grey anodized aluminum with screen in transparent PMMA.

### TECHNICALS FEATURES:

<b>Materials</b>	Aluminium extrusion alloy UNI 6060 ; Transparent PMMA
<b>Finishes</b>	Natural Anodized Aluminium
<b>Screws</b>	Stainless steel ASI 316L
<b>End caps</b>	Stainless steel ASI 316L
<b>Power Supply</b>	24 Vdc constant voltage
<b>Light Source</b>	Micro LED
<b>Pitch</b>	5,2 mm ; 2,6 mm (plus)
<b>Color Temperature</b>	3000K ; 4000K
<b>Ra</b>	> 80
<b>Chromatic Selection</b>	Mac-Adam 3-step
<b>Lifetime</b>	> 50000 h (TM21)
<b>Optics</b>	Transparent screen
<b>Tc metal body</b>	<90 °C
<b>Ta operating temperature</b>	0 ÷ 40 °C
<b>Functions</b>	On/Off ; dimmable
<b>Cable</b>	Flameproof CE 20-22 II 2x0,5 mm <sup>2</sup> (white-black) + 1x0,25 mm <sup>2</sup> (green) Ø 4,5 mm L. 1m
<b>Weigth</b>	1120 g/m
<b>Installations</b>	Surface mounted (wall, floor, ceiling) with stainless steel clips or adjustable brackets
<b>Norms</b>	60598-1 ; 60598-2 and its parts



### NOTE:

Power supplies, control interfaces and dimming to be orderd separately. Aldabra driver consumption is equal to 15% of the fixture nominal power.  
Photometric data available at [www.aldabra.it](http://www.aldabra.it)

## SLIM Monochromatic DATA-SHEET

### GENERAL FEATURES:

	pitch (mm)	power (W)	length (mm)
<b>SLI.01.XXXXX.X</b>	5,2	8	510
<b>SLI.02.XXXXX.X</b>	5,2	16	1010
<b>SLI.03.XXXXX.X</b>	5,2	24	1510
<b>SLI.04.XXXXX.X</b>	5,2	32	2010
<b>SLI.05.XXXXX.X</b>	2,6	16	510
<b>SLI.06.XXXXX.X</b>	2,6	32	1010
<b>SLI.07.XXXXX.X</b>	2,6	47	1510
<b>SLI.08.XXXXX.X</b>	2,6	63	2010

### OPTICAL FEATURES:

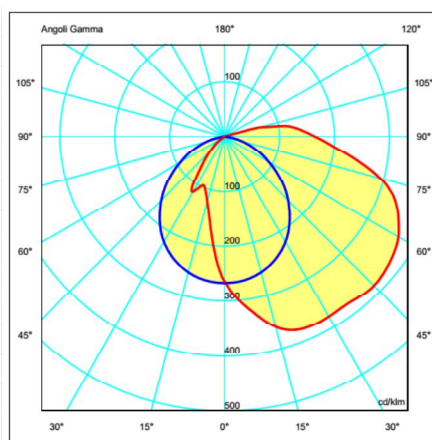
<b>SLI.XX.TXXXX.X</b>	Transparent screen
-----------------------	--------------------

### LED FEATURES:

	Mid-Power LED	lm/W	Ra	Chromatic selection
<b>SLI.XX.X30XX.X</b>	3000K warm white	104	>80	MacAdam 3-step
<b>SLI.XX.X40XX.X</b>	4000K neutral white	115	>80	MacAdam 3-step

### FINISHES FEATURES:

<b>SLI.XX.XXXA1.X</b>	Anodized Aluminuim
-----------------------	--------------------



Transparent screen