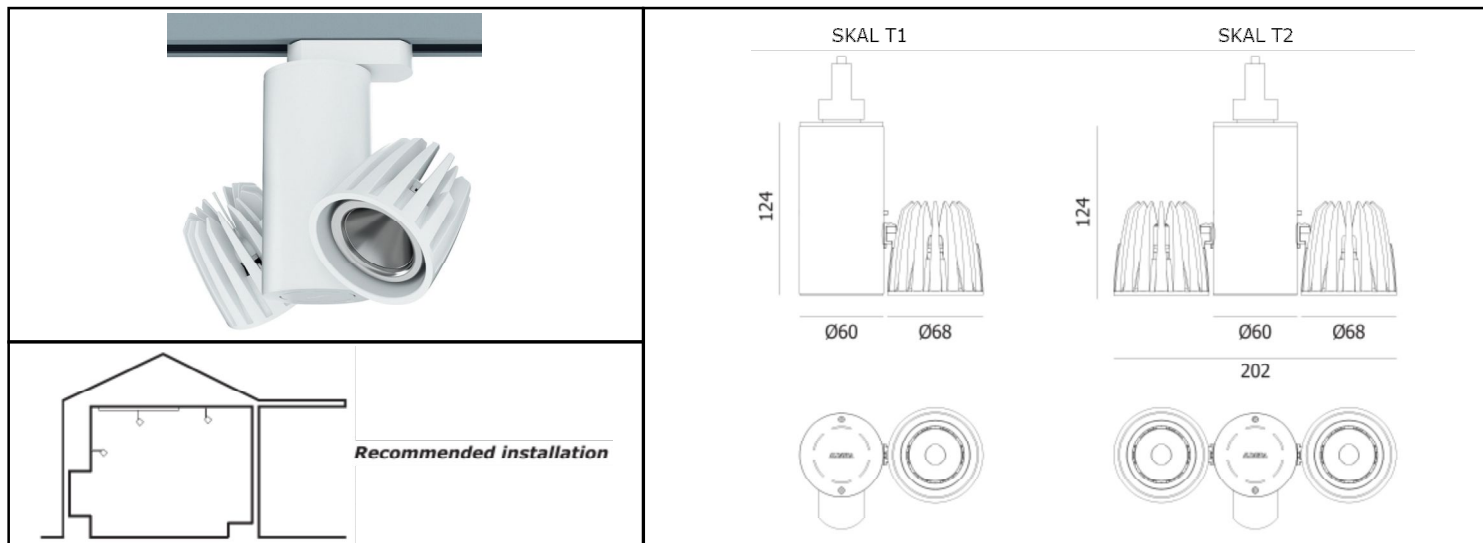


SKAL T Monochromatic DATA-SHEET



PRODUCT DESCRIPTION:

Family of track adjustable spotlights for indoor applications.
Body Anticorodal aluminium alloy EN AW-6060, stainless steel.
UV resistance of all materials.

TECHNICALS FEATURES:

| | |
|---------------------------------|--|
| Materials | Anticorodal aluminium alloy EN AW-6060 ; Stainless steel inox AISI 316L |
| Body | Anticorodal aluminium alloy EN AW-6060 |
| Finishes | Painted white or black |
| End caps | Stainless steel inox AISI 316L |
| Power Supply | 110-277 Vac 50/60 Hz mains voltage |
| Power | 16W (Skal T1) ; 32W (Skal T2) |
| Light Source | COB LED |
| Color Temperature | 2700K ; 3500K |
| Ra | > 80 |
| Chromatic Selection | Mac-Adam 3-step |
| Lifetime | > 50000 h (TM21) |
| Optics | Narrow beam 20° ; Wide beam 40° |
| Tc metal body | < 90 °C |
| Ta operating temperature | 0 ÷ 35 °C |
| Functions | On/Off |
| Weigth | 190g |
| Installations | Track (ceiling) |
| Norms | EN60598-1 ; EN60598-2 and its parts ; EN61347-1 and its parts; EN55015 ; EN61000-3 and its parts ; EN61547 |



NOTE:

Photometric data available at www.aldabra.it

SKAL T Monochromatic DATA-SHEET

GENERAL FEATURES:

| | power (W) |
|----------------|-----------|
| SKA.01.XXXXX.X | 16 |
| SKA.02.XXXXX.X | 32 |

OPTICAL FEATURES:

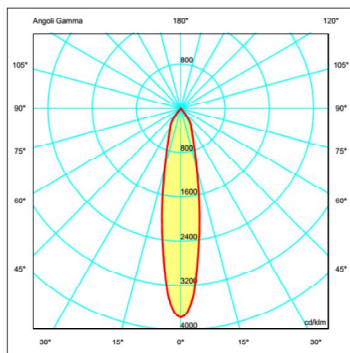
| | |
|----------------|-----------------|
| SKA.XX.MXXXX.X | Narrow beam 20° |
| SKA.XX.WXXXX.X | Wide beam 40° |

LED FEATURES:

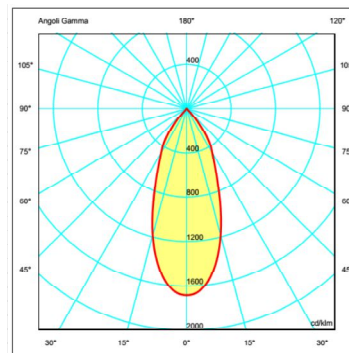
| | Power LED | lm/W | Ra | Chromatic selection |
|----------------|---------------------|------|-----|---------------------|
| SKA.XX.X27XX.X | 2700K warm white | 108 | >80 | MacAdam 3-step |
| SKA.XX.X35XX.X | 3500K neutral white | 116 | >80 | MacAdam 3-step |

FINISHES FEATURES:

| | |
|----------------|---------------|
| SKA.XX.XXXW1.X | Painted white |
| SKA.XX.XXXB1.X | Painted black |



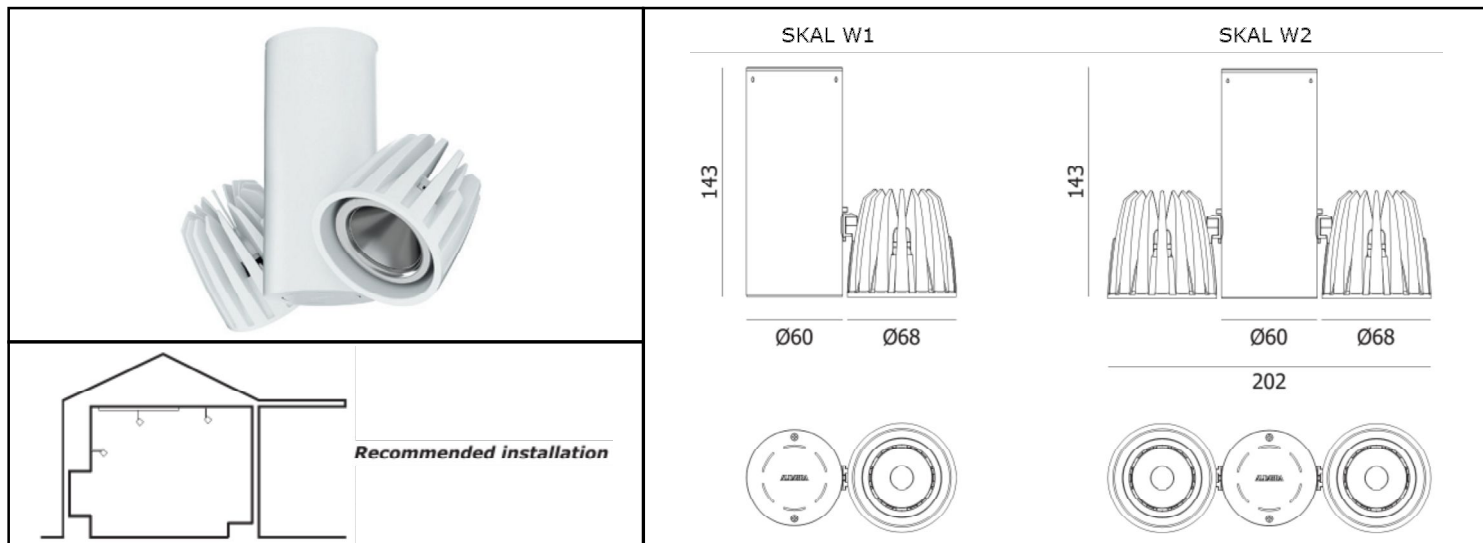
Narrow beam 20°



Wide beam 40°

SKAL W Monochromatic

DATA-SHEET



PRODUCT DESCRIPTION:

Family of ceiling adjustable spotlights for indoor applications.
 Body Anticorodal aluminium alloy EN AW-6060, stainless steel.
 UV resistance of all materials.

TECHNICALS FEATURES:

| | |
|---------------------------------|--|
| Materials | Anticorodal aluminium alloy EN AW-6060 ; Stainless steel inox AISI 316L |
| Body | Anticorodal aluminium alloy EN AW-6060 |
| Finishes | Painted white or black |
| End caps | Stainless steel inox AISI 316L |
| Power Supply | 110-277 Vac 50/60 Hz mains voltage |
| Power | 17W (Skal W1) ; 32W (Skal W2) |
| Light Source | COB LED |
| Color Temperature | 2700K ; 3500K |
| Ra | > 80 |
| Chromatic Selection | Mac-Adam 3-step |
| Lifetime | > 50000 h (TM21) |
| Optics | Narroe beam 20° ; Wide beam 40° |
| Tc metal body | < 90 °C |
| Ta operating temperature | 0 ÷ 35 °C |
| Functions | On/Off |
| Weigth | 190g |
| Installations | Track (ceiling) |
| Norms | EN60598-1 ; EN60598-2 and its parts ; EN61347-1 and its parts; EN55015 ; EN61000-3 and its parts ; EN61547 |



NOTE:

Photometric data available at www.aldabra.it

SKAL W Monochromatic

DATA-SHEET

GENERAL FEATURES:

| | power (W) |
|----------------|-----------|
| SKA.03.XXXXX.X | 17 |
| SKA.04.XXXXX.X | 32 |

OPTICAL FEATURES:

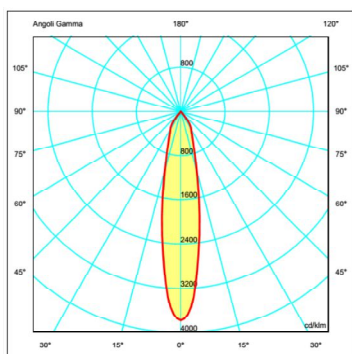
| | |
|----------------|-----------------|
| SKA.XX.MXXXX.X | Narrow beam 20° |
| SKA.XX.WXXXX.X | Wide beam 40° |

LED FEATURES:

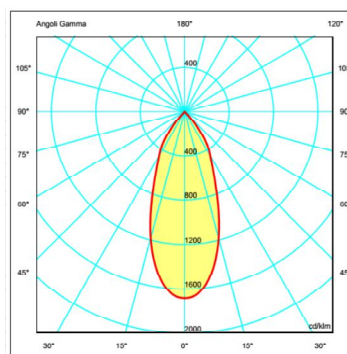
| | Power LED | lm/W | Ra | Chromatic selection |
|----------------|---------------------|------|-----|---------------------|
| SKA.XX.X27XX.X | 2700K warm white | 108 | >80 | MacAdam 3-step |
| SKA.XX.X35XX.X | 3500K neutral white | 116 | >80 | MacAdam 3-step |

FINISHES FEATURES:

| | |
|----------------|---------------|
| SKA.XX.XXXW1.X | Painted white |
| SKA.XX.XXXB1.X | Painted black |



Narrow beam 20°



Wide beam 40°