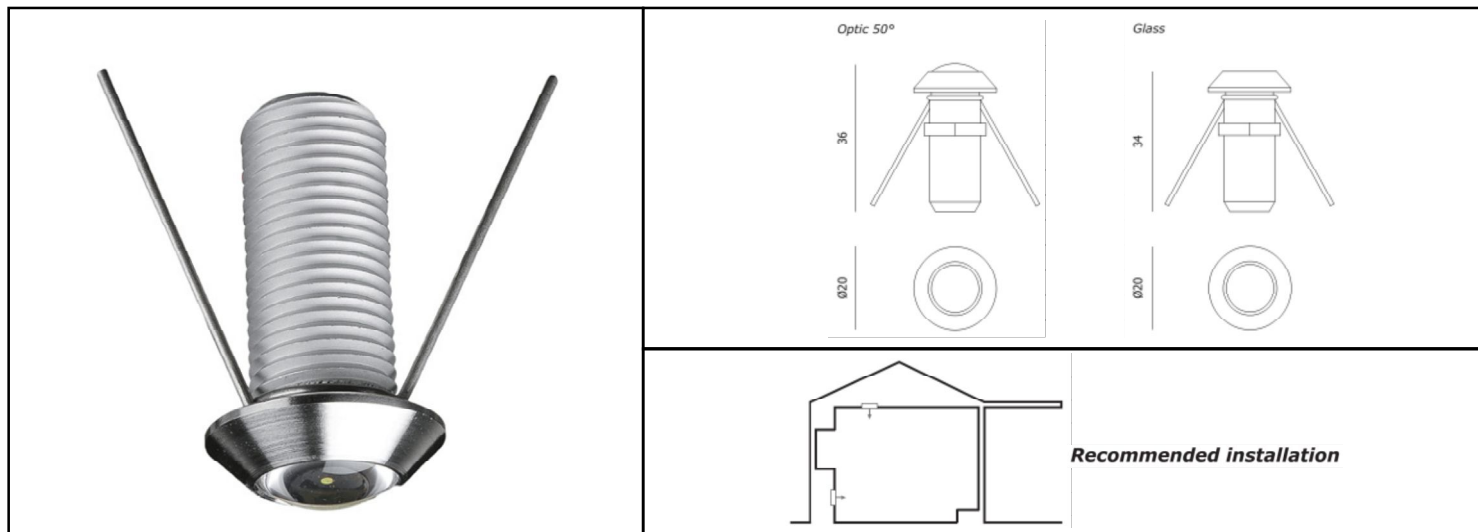


## SIRIUS Monochromatic

### DATA-SHEET



#### PRODUCT DESCRIPTION:

Recessed professional fixed spotlight suitable for indoor applications.  
 Body Anticorodal aluminium alloy EN AW-6060, front stainless steel AISI 316L.  
 UV resistance of all materials.

#### TECHNICALS FEATURES:

<b>Materials</b>	Anticorodal aluminium alloy EN AW-6060 ; Stainless steel inox AISI 316L
<b>Front Finishes</b>	Stainless steel inox AISI 316L
<b>Power Supply</b>	350 mA
<b>Power</b>	1 W @350 mA
<b>Light Source</b>	Power LED
<b>Color Temperature</b>	3000K ; 4000K
<b>Ra</b>	> 80
<b>Chromatic Selection</b>	Mac-Adam 2-step
<b>Lifetime</b>	> 50000 h (TM21)
<b>Optics</b>	Wide beam 50°, transparent screen, satin screen
<b>Tc metal body</b>	< 90 °C
<b>Ta operating temperature</b>	0 ÷ 40 °C
<b>Ts surface temperature</b>	≤ 65 °C
<b>Functions</b>	On/Off ; dimmable
<b>Cable</b>	AWM style 20233 2x0,75mm <sup>2</sup> AWG18 (Red-Black) Ø est. 5,2 mm L. 0,5 m.
<b>Weigth</b>	24 g
<b>Installations</b>	Recessed (wall, ceiling) with stainless steel springs
<b>Norms</b>	60598-1 ; 60598-2 and its parts



#### NOTE:

Power supplies, control&dimming devices and fixing kits must to be orderd separately. Aldabra power supply consumption is equal to 15% of the fixture nominal power.  
 Photometric data available at [www.aldabra.it](http://www.aldabra.it)

## SIRIUS Monochromatic DATA-SHEET

### GENERAL FEATURES:

power @350 mA

---

SIR.01.XXXXX.X

1W

### OPTICAL FEATURES:

---

SIR.XX.WXXXX.X

Wide beam 50°

---

SIR.XX.TXXXX.X

transparent screen

---

SIR.XX.SXXXX.X

satin screen

### LED FEATURES:

	Power LED	lm/W	Ra	Chromatic selection
SIR.XX.X30XX.X	3000K warm white	118	>80	MacAdam 2-step
SIR.XX.X40XX.X	4000K neutral white	130	>80	MacAdam 2-step

### FINISHES FEATURES:

---

SIR.XX.XXXS1.X

satin stainless steel AISI 316L

---