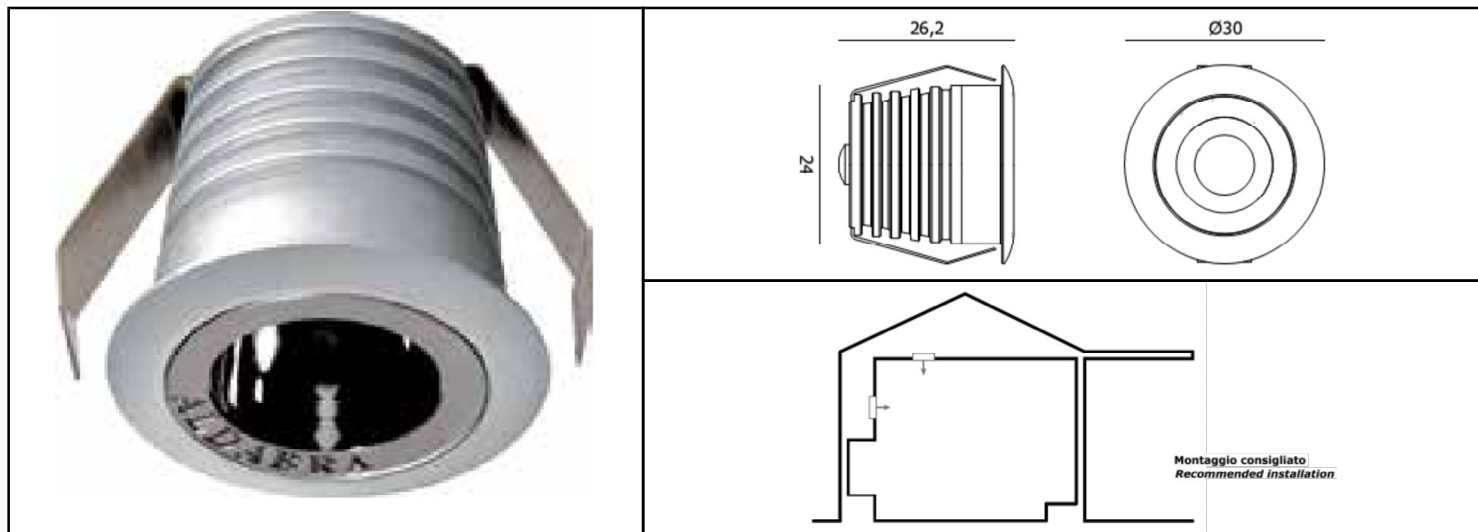


RIGEL Monochromatic DATA-SHEET



PRODUCT DESCRIPTION:

Recessed professional fixed spotlight suitable for indoor applications.
Body Anticorodal aluminium alloy EN AW-6060.
UV resistance of all materials.

TECHNICALS FEATURES:

Materials	Anticorodal aluminium alloy EN AW-6060 ; Stainless steel inox AISI 316L
Front Finishes	Anodized aluminium or matt white
Power Supply	350/500 mA
Power	1 W @350 mA - 1,5 W @500 mA
Light Source	Power LED
Color Temperature	2700K ; 3000K ; 4000K
Ra	> 80
Chromatic Selection	Mac-Adam 2-step
Lifetime	> 50000 h (TM21)
Optics	Specular hybrid optics 13° ; 35°
Tc metal body	< 90 °C
Ta operating temperature	0 ÷ 40 °C
Ts surface temperature	≤ 65 °C
Functions	On/Off ; dimmable
Cable	AWM style 20233 1x0,5mm ² AWG20 (Red) + 1x0,5mm ² AWG20 (Black) L. 0,5 m.
Weigth	28 g
Installations	Recessed (wall, ceiling) with stainless syeel springs
Norms	60598-1 ; 60598-2 and its parts



NOTE:

Power supplies, control&dimming devices and fixing kits must to be orderd separately. Aldabra power supply consumption is equal to 15% of the fixture nominal power.
Photometric data available at www.aldabra.it

RIGEL Monochromatic DATA-SHEET

GENERAL FEATURES:

	power @350 mA	power @500 mA
RIG.01.XXXXX.X	1W	1,5W

OPTICAL FEATURES:

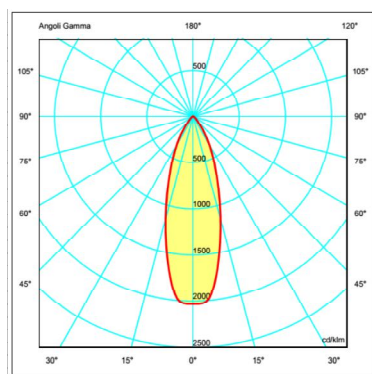
RIG.XX.MXXXX.X	Narrow beam 13°
RIG.XX.WXXXX.X	Wide beam 35°

LED FEATURES:

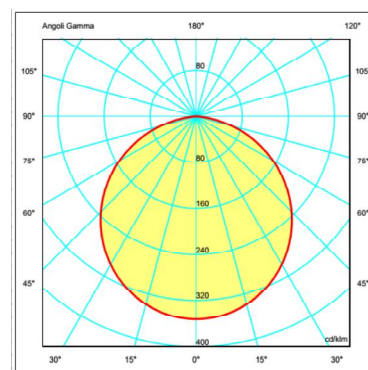
	Power LED	lm/W	Ra	Chromatic selection
RIG.XX.X27XX.X	2700K warm white	105	>80	MacAdam 2-step
RIG.XX.X30XX.X	3000K warm white	118	>80	MacAdam 2-step
RIG.XX.X40XX.X	4000K neutral white	130	>80	MacAdam 2-step

FINISHES FEATURES:

RIG.XX.XXXA1.X	Aluminium anodized
RIG.XX.XXXW1.X	Matt white



medium beam 30°



opal diffuser 111°