

OSCAR

design by Kurt Wallaey



« OSCAR refers to the legendary bull on which only a few bull riders could complete the regular 8 seconds ride, hence becoming a real legend. But OSCAR was also known as "the small bucking bull", only weighing 1300pounds, very elegant yet performing and with an atypical violent spin to the left. The undefeated OSCAR has built himself a legendary status. »

I wanted to design an entirely new and atypical lighting profile, different from all existing ones. It had to be shiny and elegant, but strong as a bull and containing a twist.

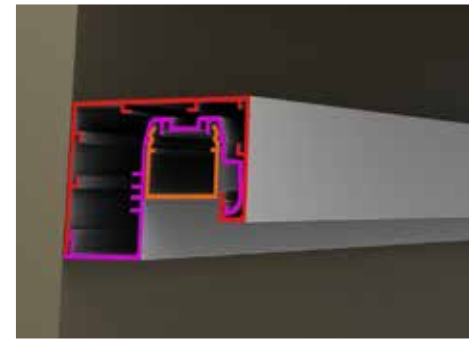
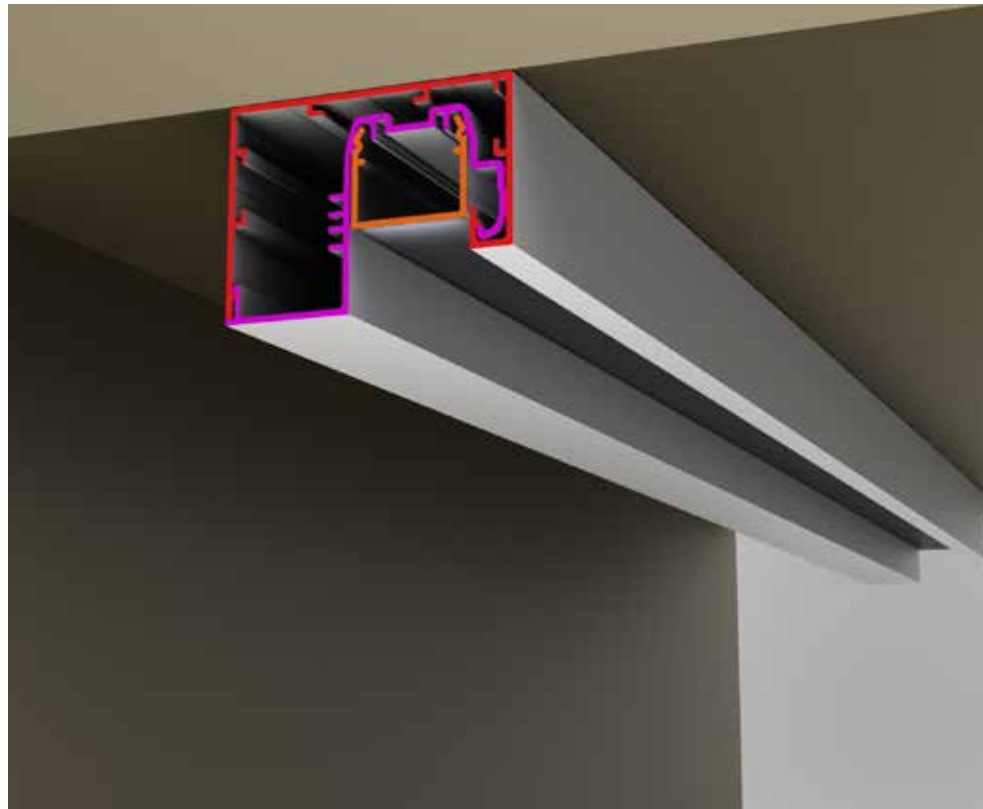
Thus **OSCAR** was conceived as an asymmetrical lighting profile, which contains an atypical spinning-possibility. This permits that the profile can be opened at any time, without having to demount the whole profile. The profile can even remain open during the mounting phase in order to make all the necessary electrical connections.

This unique spinning possibility together with a world of equipment possibilities and an unlimited range of different types of mounting gears, will eventually make that **OSCAR** - as an asymmetrical lighting profile - is destined to become a strong player on the functional and design lighting scene.

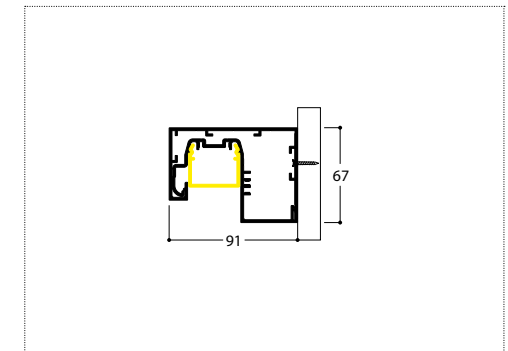




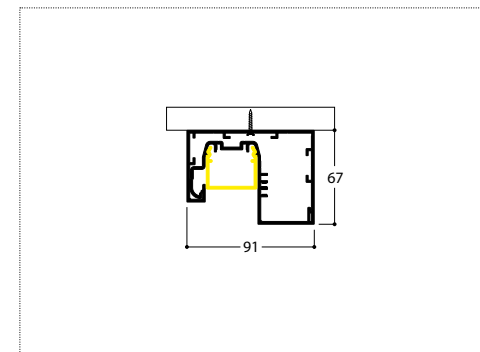
OSCAR design by Kurt Wallaey



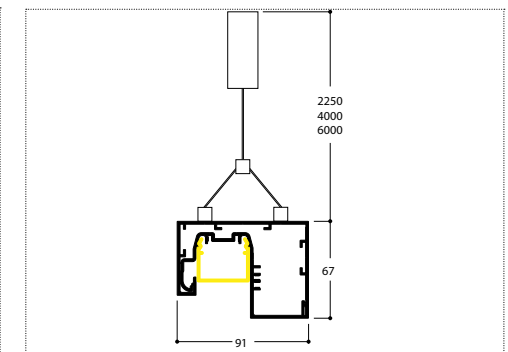
SECTION VIEW WALL



SECTION VIEW CEILING



SECTION VIEW SUSPENDED



PROFILES/ m



ENDCAP LEFT

ENDCAP RIGHT

STRAIGHT CONNECTION

1 SET = 2 PROFILES

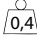
TEXT. WHITE	690047
TEXT. BLACK	690026

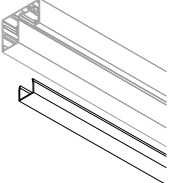
TEXT. WHITE	690957
TEXT. BLACK	690936

TEXT. WHITE	690947
TEXT. BLACK	690926

STRAIGHT CONNECTION	979100
---------------------	---------------

ALU COVER/ m

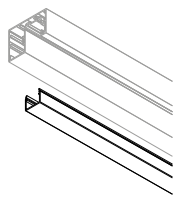
TO BE USED IN EMPTY PROFILE SPACES 



TEXT. WHITE	810147
TEXT. BLACK	810126

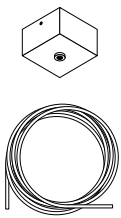
DIFFUSER/ m

TO BE USED IN EMPTY PROFILE SPACES




DIFFUSER FROSTED PC	810106
---------------------	---------------

CONNECTION SET SQUARE



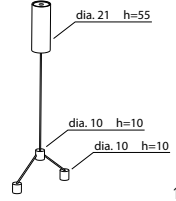
	3p			5p		
	2,25 m	4 m	6 m	2,25 m	4 m	6 m
TEXT. WHITE	890847	890947	891047	891147	891247	891347
TEXT. BLACK	890826	890926	891026	891126	891226	891326

EXTRA CIRCUIT/ m



COMMON NEUTRAL	892630
NO COMMON NEUTRAL	892631
SAME LENGTH AS PROFILE	

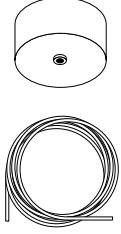
SUSPENSION SINGLE



1 suspension/ 1 m profile
min. 2 suspensions

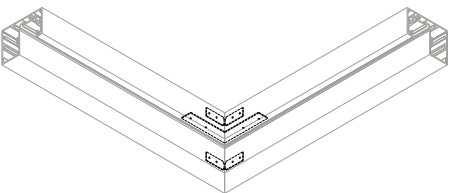
	2,25 m	4 m	6 m
TEXT. WHITE	695047	695147	695247
TEXT. BLACK	695026	695126	695226

CONNECTION SET ROUND



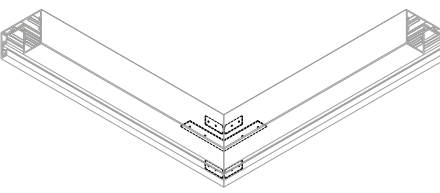
	3p			5p		
	2,25 m	4 m	6 m	2,25 m	4 m	6 m
TEXT. WHITE	691047	691147	691247	691347	691447	691547
TEXT. BLACK	691026	691126	691226	691326	691426	691526

INNER CORNER




CORNER 90°	979200
CORNER 135°	979300
CORNER 45-85° on request	979400

OUTER CORNER



CORNER 90°	979210
CORNER 135°	979310
CORNER 45-85° on request	979410

CONNECTION SET KOSMOS (RECESSED)



56 mm
Installation height 60 mm

	3p			5p		
	2,25 m	4 m	6 m	2,25 m	4 m	6 m
TEXT. WHITE	691057	691157	691257	691357	691457	691557
TEXT. BLACK	691036	691136	691236	691336	691436	691536

LEDSYSTEM HE - 2315 lm/meter



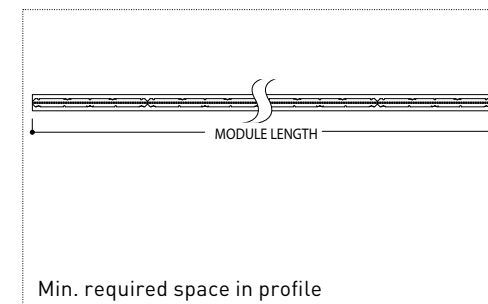
LED LAMPS	DIFFUSER	IP	2700K		3000K		4000K		POWER (W)	MODULE LENGTH /mm	MODULE LENGTH /ft
			NOT DIMM	DIMMABLE*	NOT DIMM	DIMMABLE*	NOT DIMM	DIMMABLE*			
OSCAR LEDSYSTEM HE 2x650lm	FROSTED POLYCARBONATE	IP 40	691724	691720	691824	691820	691924	691920	7	560	2
OSCAR LEDSYSTEM HE 3x650lm	FROSTED POLYCARBONATE	IP 40	691734	691730	691834	691830	691934	691930	10,5	840	3
OSCAR LEDSYSTEM HE 4x650lm	FROSTED POLYCARBONATE	IP 40	691744	691740	691844	691840	691944	691940	14	1120	4
OSCAR LEDSYSTEM HE 5x650lm	FROSTED POLYCARBONATE	IP 40	691754	691750	691854	691850	691954	691950	17,5	1400	5
OSCAR LEDSYSTEM HE 6x650lm	FROSTED POLYCARBONATE	IP 40	691764	691760	691864	691860	691964	691960	21	1680	6
OSCAR LEDSYSTEM HE 7x650lm	FROSTED POLYCARBONATE	IP 40	691774	691770	691874	691870	691974	691970	24,5	1960	7
OSCAR LEDSYSTEM HE 8x650lm	FROSTED POLYCARBONATE	IP 40	691784	691780	691884	691880	691984	691980	28	2240	8
OSCAR LEDSYSTEM HE 9x650lm	FROSTED POLYCARBONATE	IP 40	691794	691790	691894	691890	691994	691990	31,5	2520	9
OSCAR LEDSYSTEM HE 10x650lm	FROSTED POLYCARBONATE	IP 40	691704	691700	691804	691800	691904	691900	35	2800	10

LEDSYSTEM HO - 3925 lm/meter



LED LAMPS	DIFFUSER	IP	2700K		3000K		4000K		POWER (W)	MODULE LENGTH /mm	MODULE LENGTH /ft
			NOT DIMM	DIMMABLE*	NOT DIMM	DIMMABLE*	NOT DIMM	DIMMABLE*			
OSCAR LEDSYSTEM HO 2x650lm	FROSTED POLYCARBONATE	IP 40	691726	691722	691826	691822	691926	691922	7	560	2
OSCAR LEDSYSTEM HO 3x650lm	FROSTED POLYCARBONATE	IP 40	691736	691732	691836	691832	691936	691932	10,5	840	3
OSCAR LEDSYSTEM HO 4x650lm	FROSTED POLYCARBONATE	IP 40	691746	691742	691846	691842	691946	691942	14	1120	4
OSCAR LEDSYSTEM HO 5x650lm	FROSTED POLYCARBONATE	IP 40	691756	691752	691856	691852	691956	691952	17,5	1400	5
OSCAR LEDSYSTEM HO 6x650lm	FROSTED POLYCARBONATE	IP 40	691766	691762	691866	691862	691966	691962	21	1680	6
OSCAR LEDSYSTEM HO 7x650lm	FROSTED POLYCARBONATE	IP 40	691776	691772	691876	691872	691976	691972	24,5	1960	7
OSCAR LEDSYSTEM HO 8x650lm	FROSTED POLYCARBONATE	IP 40	691786	691782	691886	691882	691986	691982	28	2240	8
OSCAR LEDSYSTEM HO 9x650lm	FROSTED POLYCARBONATE	IP 40	691796	691792	691896	691892	691996	691992	31,5	2520	9
OSCAR LEDSYSTEM HO 10x650lm	FROSTED POLYCARBONATE	IP 40	691706	691702	691806	691802	691906	691902	35	2800	10

*dimmable: DALI / TOUCH DIMMABLE (5P connection)





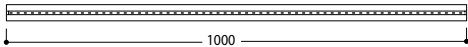




OSCAR design by Kurt Wallaey

MODULE LEDLINE/M

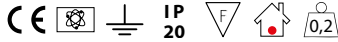


	24V DC										
Color Temperature	2700K		3000K		4000K		RED	AMBER	GREEN	ROYAL BLUE	RGB
	MEDIUM POWER	HIGH POWER	MEDIUM POWER	HIGH POWER	MEDIUM POWER	HIGH POWER	MEDIUM POWER	MEDIUM POWER	MEDIUM POWER	MEDIUM POWER	MEDIUM POWER
Frosted diffuser	692179	692173	692172	692175	692170	692174	692145	692155	692165	692185	692195
Power	9,6W/ m	14,4W/ m	9,6W/ m	14,4W/ m	9,6W/ m	14,4W/ m	9,6W/ m	9,6W/ m	9,6W/ m	9,6W/ m	14.4W/ m
Lumen output	672 lm/ m	1010 lm/ m	710 lm/ m	1060 lm/ m	740 lm/ m	1100 lm/ m	170 lm/ m	180 lm/ m	400 lm/ m	160 lm/ m	480lm/ m
CRI	92	92	92	92	92	92	n/a	n/a	n/a	n/a	n/a
Max. length 1 powerfeed	5 metres	5 metres	5 metres	5 metres	5 metres	5 metres	5 metres	5 metres	5 metres	5 metres	5 metres
Min. cutting length	50 mm	33 mm	50 mm	33 mm	50 mm	33 mm	50 mm	50 mm	50 mm	50 mm	100 mm

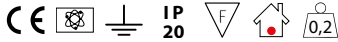
CONVERTER p.632

FROSTED POLYCARBONATE DIFFUSER INCLUDED

INTEGRATED CONVERTOR

input 230 V-AC output 24V-DC power 20W	fits in Oscar profile (no extra space required)		
			
	1-10V DIMM		
OSCAR CONVERTOR MODULE	692910		

INTEGRATED CONVERTOR

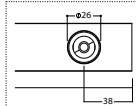
input 230 V-AC output 24V-DC power 60W	fits in Oscar profile (no extra space required)		
			
	NOT DIMM	1-10V	DALI DIMM
OSCAR CONVERTOR MODULE	692930	692940	692950





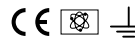
OSCAR design by Kurt Wallaey

MODULE 1 x LUXEON M



LUXEON M 3,82W
230 V - 50/60Hz
400 lumen

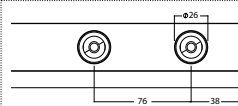
A++



	2700K	3000K
TEXT. WHITE	693202	693262
TEXT. BLACK	693203	693263
GOLD	693205	693265

- 810147 COVER TEXT. WHITE P/M
- 810126 COVER TEXT. BLACK P/M

MODULE 2 x LUXEON M



LUXEON M 2 x 3,82W
230 V - 50/60Hz
2 x 400 lumen

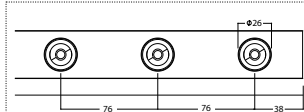
A++



	2700K	3000K
TEXT. WHITE	693206	693266
TEXT. BLACK	693207	693267
GOLD	693209	693269

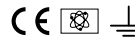
- 810147 COVER TEXT. WHITE P/M
- 810126 COVER TEXT. BLACK P/M

MODULE 3 x LUXEON M



LUXEON M 3 x 3,82W
230 V - 50/60Hz
3 x 400 lumen

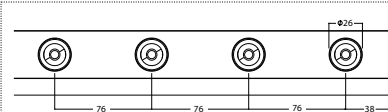
A++



	2700K	3000K
TEXT. WHITE	693212	693272
TEXT. BLACK	693213	693273
GOLD	693215	693275

- 810147 COVER TEXT. WHITE P/M
- 810126 COVER TEXT. BLACK P/M

MODULE 4 x LUXEON M



LUXEON M 4 x 3,82W
230 V - 50/60Hz
4 x 400 lumen

A++

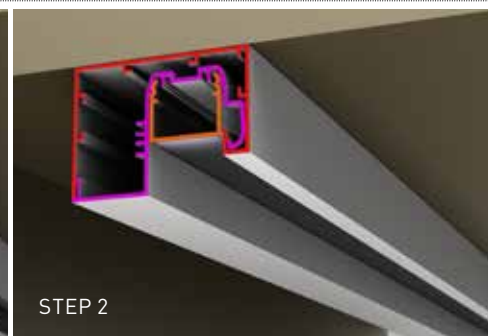
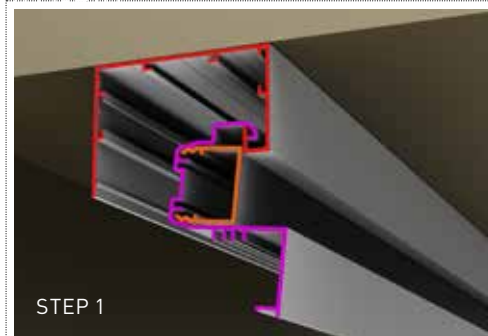


	2700K	3000K
TEXT. WHITE	693216	693276
TEXT. BLACK	693217	693277
GOLD	693219	693279

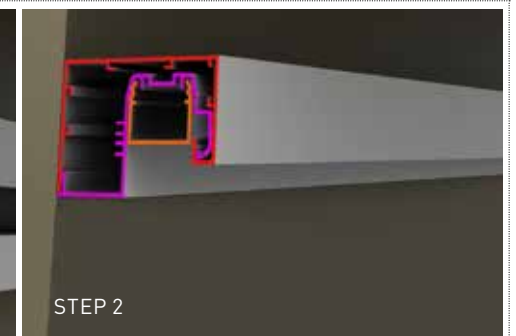
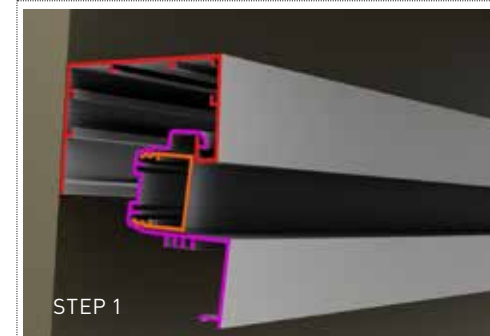
- 810147 COVER TEXT. WHITE P/M
- 810126 COVER TEXT. BLACK P/M



EASY CEILING installation & maintenance



EASY WALL installation & maintenance



All distances between led modules are always minimum dimensions



OSCAR design by Kurt Wallaey

MODULE 1 x BULLED



LUXEON M 3,82W
230 V - AC
400 lumen

A++

CE IP 20 F 0,2

	2700K	3000K
TEXT. WHITE	694202	694262
TEXT. BLACK	694203	694263
GOLD	694205	694265

810147 COVER TEXT. WHITE P/M
 810126 COVER TEXT. BLACK P/M

MODULE 2 x BULLED



LUXEON M 2 x 3,82W
230 V - AC
2 x 400 lumen

A++

CE IP 20 F 0,2

	2700K	3000K
TEXT. WHITE	694206	694266
TEXT. BLACK	694207	694267
GOLD	694209	694269

810147 COVER TEXT. WHITE P/M
 810126 COVER TEXT. BLACK P/M



MODULE 3 x BULLED



LUXEON M 3 x 3,82W
230 V - AC
3 x 400 lumen

A++

CE IP 20 F 0,2

	2700K	3000K
TEXT. WHITE	694212	694272
TEXT. BLACK	694213	694273
GOLD	694215	694275

810147 COVER TEXT. WHITE P/M
 810126 COVER TEXT. BLACK P/M

MODULE 4 x BULLED



LUXEON M 4 x 3,82W - 230 V - AC
4 x 400 lumen

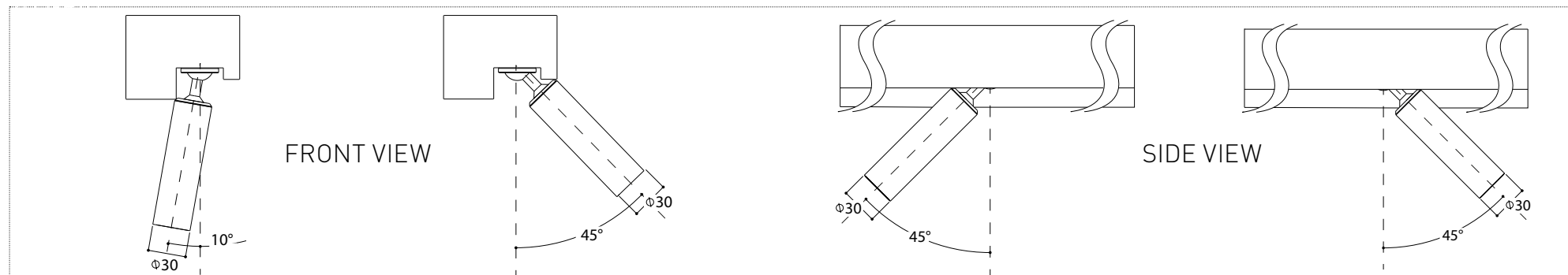
A++

CE IP 20 F 0,2

	2700K	3000K
TEXT. WHITE	694216	694276
TEXT. BLACK	694217	694277
GOLD	694219	694279

810147 COVER TEXT. WHITE P/M
 810126 COVER TEXT. BLACK P/M

MAXIMUM TILT ANGLES



All distances between led modules are always minimum dimensions





HOW TO COMPOSE OSCAR

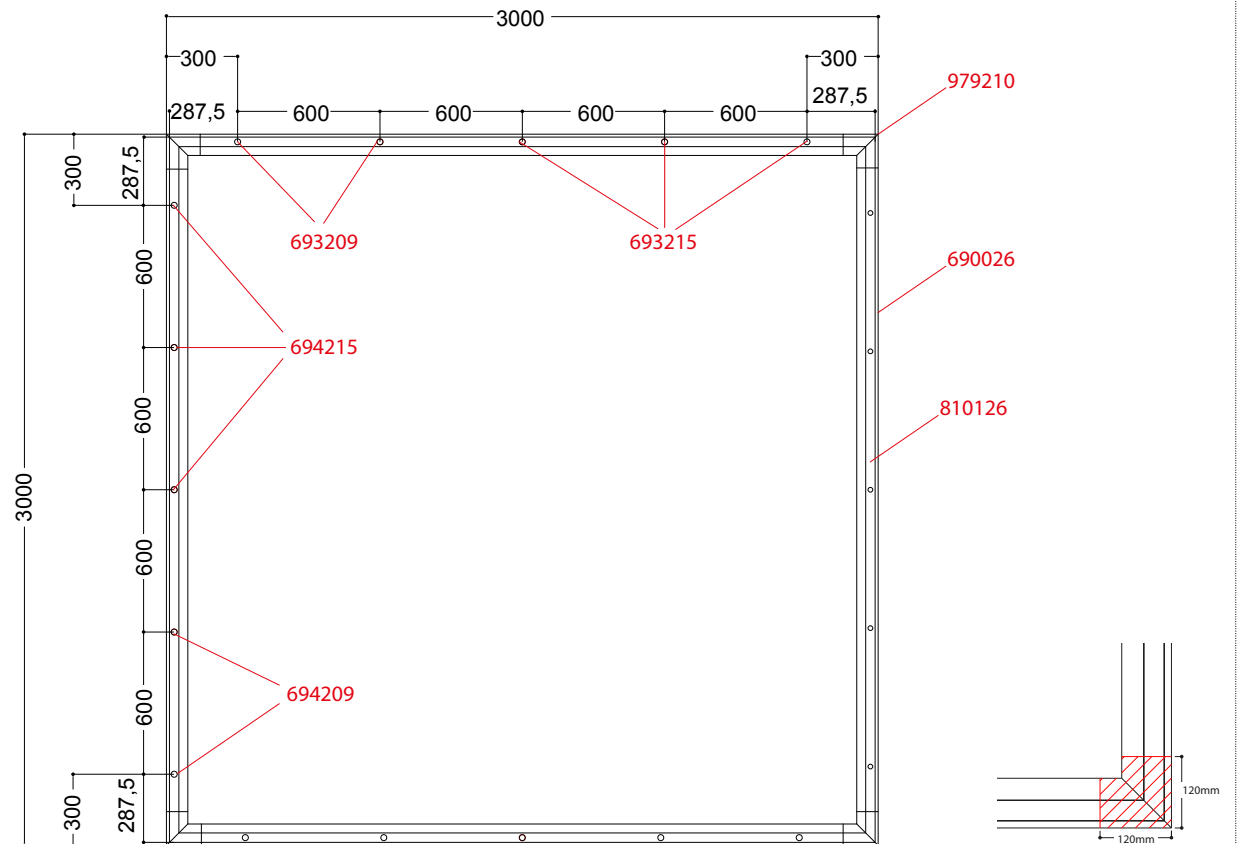
REQUEST CUSTOMER

OSCAR PROFILE
 1 CIRCUIT
 TEXT. BLACK COLOR
 SQUARE SHAPE
 COLOR TEMPERATURE 2700K
 COMBINATION OF FIXED AND ORIENTABLE SPOTS
 ALL LIGHTS BLACK & GOLD

ORDERFORM

REFERENCE	DESCRIPTION	PCS or M
690026	PROFILE SET (2 PROFILES)	12 (3 + 3 + 3 + 3)
810126	ALU COVER	11,91 (2,97 + 2,97 + 2,97 + 2,97)
694209	MODULE 2 X BULLED 2700K	2
694215	MODULE 3 X BULLED 2700K	2
693209	MODULE 2 X LUXEON 2700K	2
693215	MODULE 3 X LUXEON 2700K	2
979210	OUTER CORNER 90°	4

DRAWING



SECTION VIEW

