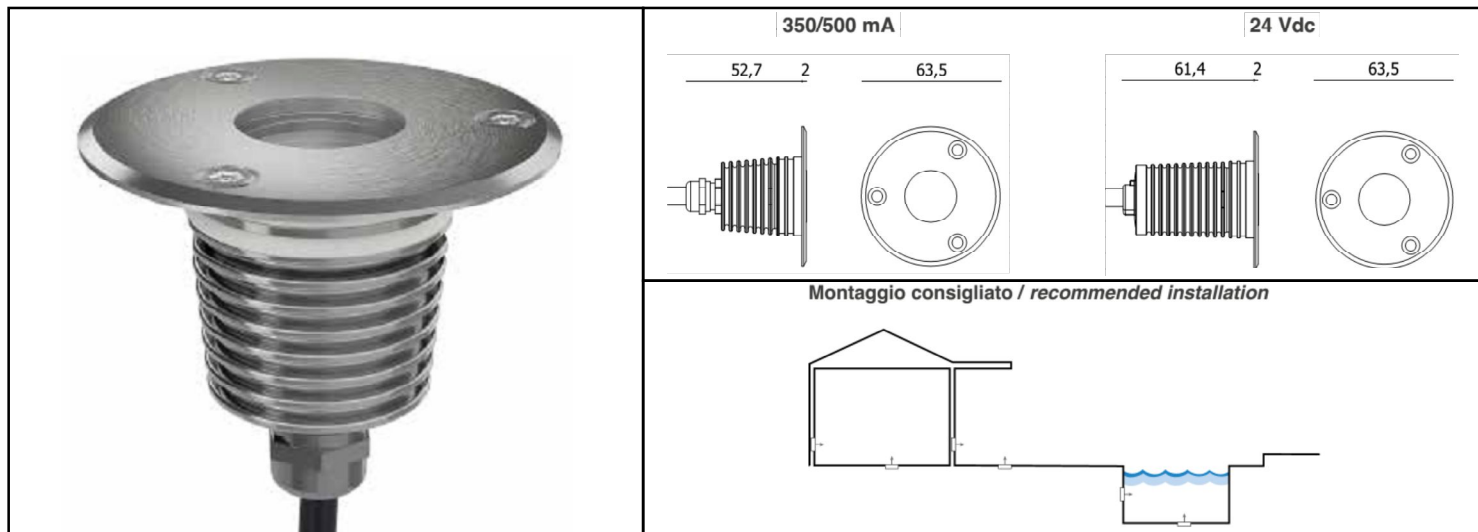


NUXY Monochromatic DATA-SHEET



PRODUCT DESCRIPTION:

Professional drive-over recessed fixture suitable for indoor, outdoor and underwater settings. Body stainless steel AISI 316L and tempered transparent or satin flat glass. All the materials are suitable for use in swimming pools, fountains and with salt water. UV resistance of all materials.

TECHNICALS FEATURES:

Materials	Stainless steel AISI 316L ; tempered transparent or satin flat glass
Front Finishes	Satin stainless steel inox Aisi 316 L
Power Supply	350-500mA or 24 Vdc constant voltage
Power	1 W @350 mA - 1,5 W @500 mA - 2 W @24 Vdc
Light Source	Power LED
Color Temperature	2700 K ; 3000K ; 4000K
Ra	> 80
Chromatic Selection	Mac-Adam 2-step
Lifetime	> 50000 h (TM21)
Optics	Honeycomb 8° ; narrow beam 9° ; medium beam 24° ; wide beam 43° ; transparent diffuser 111° ; satin diffuser 97°
Tc metal body	< 90 °C
Ta operating temperature	- 30 ÷ 50 °C
Ts surface temperature	≤ 65 °C
Functions	On/Off ; dimmable
Cable	350/500 mA: AWM style 20233 2xAWG18 (Red;Black) Ø 5,2 L. 0,5 m. 24 Vdc: AWM style 20233 2xAWG18 (Red;Black)+1xAWG20 (Violet) Ø 6,2 L. 1m.
Weigth	260 g
Installations	Recessed (wall, floor)
Norms	60598-1 ; 60598-2 and its parts



NOTE:

Power supplies, control&dimming devices and fixing kits must to be orderd separately. Aldabra power supply consumption is equal to 15% of the fixture nominal power. Photometric data available at www.aldabra.it

NUXY Monochromatic DATA-SHEET

GENERAL FEATURES:

	power(W) @350 mA	power(W) @500 mA	power(W) @24 Vdc
NUX.01.XXXXX.X	1	1,5	
NUX.02.XXXXX.X			2

OPTICAL FEATURES:

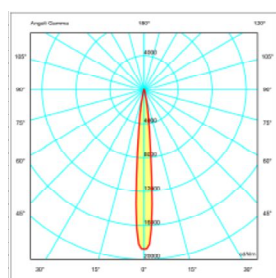
NUX.XX.HXXXX.X	Honeycomb 8°
NUX.XX.MXXXX.X	Narrow beam 9°
NUX.XX.FXXXX.X	Medium beam 24°
NUX.XX.WXXXX.X	Wide beam 43°
NUX.XX.TXXXX.X	Transparent diffuser 111°
NUX.XX.SXXXX.X	Satin diffuser 97°

LED FEATURES:

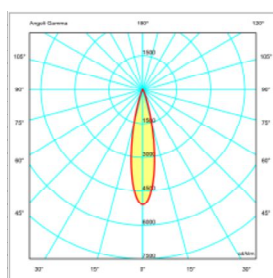
	Power LED	lm/W	Ra	Chromatic selection
NUX.XX.X27XX.X	2700K warm white	105	>80	MacAdam 2-step
NUX.XX.X30XX.X	3000K warm white	118	>80	MacAdam 2-step
NUX.XX.X40XX.X	4000K neutral white	130	>80	MacAdam 2-step

FINISHES FEATURES:

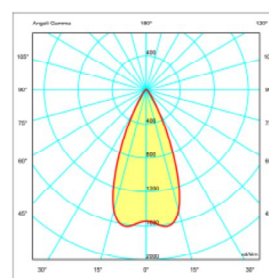
NUX.XX.XXXS1.X	Satin stainless steel
-----------------------	-----------------------



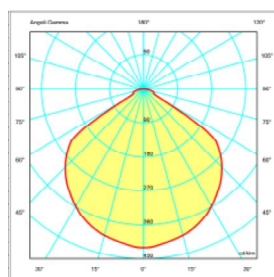
narrow beam 9°



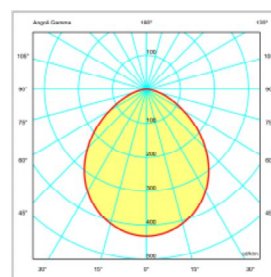
medium beam 24°



wide beam 43°



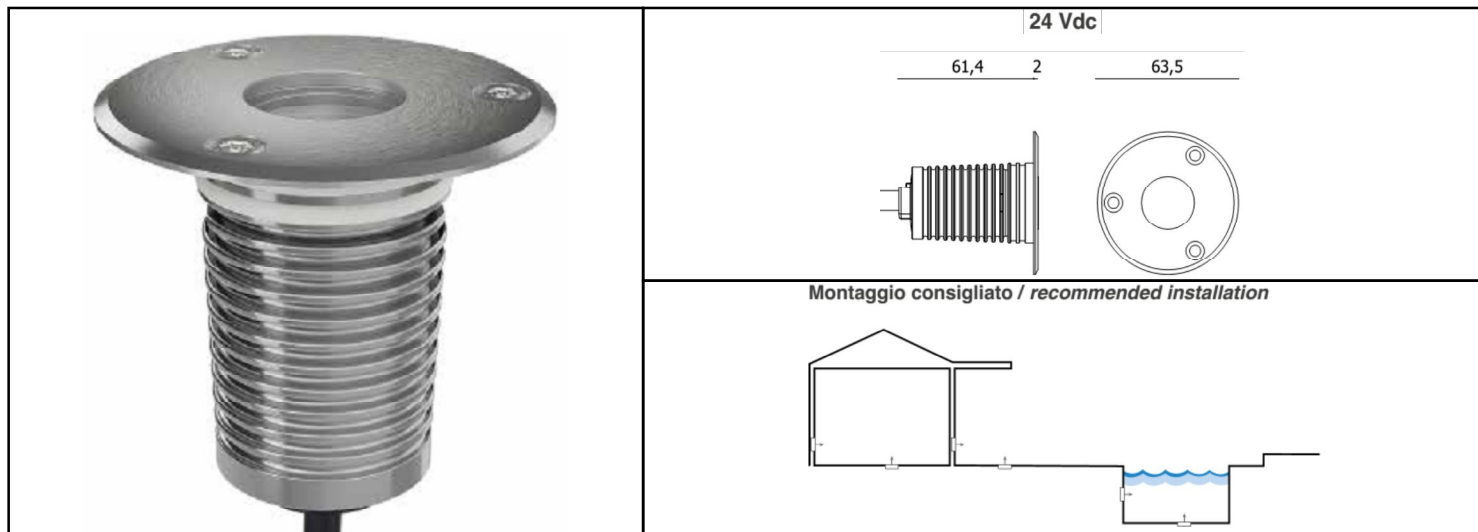
transparent diffuser 111°



satin diffuser 97°

NUXY RGB

DATA-SHEET



PRODUCT DESCRIPTION:

Professional drive-over recessed fixture suitable for indoor, outdoor and underwater settings. Body stainless steel AISI 316L and tempered transparent or satin flat glass. All the materials are suitable for use in swimming pools, fountains and with salt water. UV resistance of all materials.

TECHNICALS FEATURES:

Materials	Stainless steel AISI 316L ; tempered transparent or satin flat glass
Front Finishes	Satin stainless steel inox Aisi 316 L
Power Supply	24 Vdc constant voltage
Power	4W
Light Source	Power LED
Color Temperature	R=622nm, G=530nm, B=470nm
Lifetime	> 50000 h (L80B20)
Optics	Wide beam 45° ; transparent diffuser 111° ; satin diffuser 97°
Tc metal body	< 90 °C
Ta operating temperature	- 30 ÷ 50 °C
Ts surface temperature	≤ 65 °C
Functions	On/Off ; dimmable
Cable	AWM style 20233 2xAWG18 (Red;Black)+3xAWG20 (R/N, G/N, B/N) L. 1m.
Weigth	260 g
Installations	Recesed (wall, floor)
Norms	60598-1 ; 60598-2 and its parts



NOTE:

Power supplies, control&dimming devices and fixing kits must to be orderd separately. Aldabra power supply consumption is equal to 15% of the fixture nominal power. Photometric data available at www.aldabra.it

NUXY RGB DATA-SHEET

GENERAL FEATURES:

	power
NUX.02.XXXXX.X	4W

OPTICAL FEATURES:

NUX.XX.WXXXX.X	Wide beam 35°
NUX.XX.TXXXX.X	Transparent diffuser 111°
NUX.XX.SXXXX.X	Satin diffuser 97°

LED FEATURES:

	Power LED
NUX.XX.X90XX.X	R, G, B

FINISHES FEATURES:

NUX.XX.XXXS1.X	Satin stainless steel
-----------------------	-----------------------

