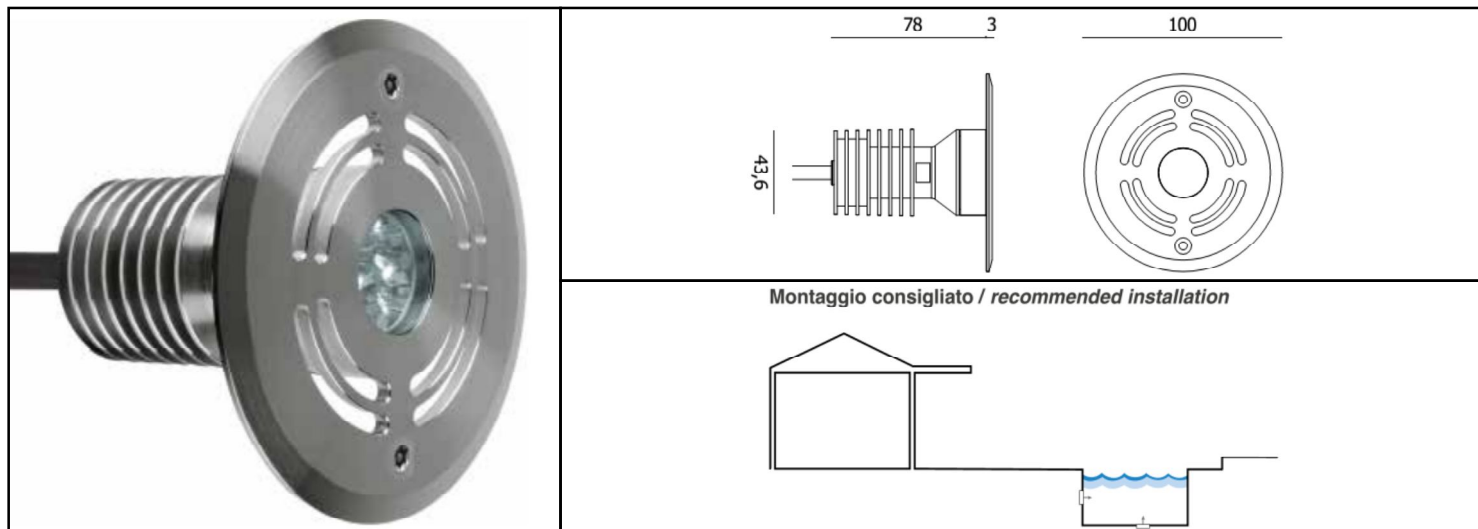


MUSA Monochromatic DATA-SHEET



PRODUCT DESCRIPTION:

Recessed fixture suitable for underwater settings. Body Stainless steel AISI 316L and tempered flat transparent or satin glass. All the materials are suitable for use in swimming pools, fountains and with salt water. UV resistance of all materials.

TECHNICALS FEATURES:

Materials	Stainless steel inox AISI 316L ; Tempered flat transparent or satin glass
Front Finishes	Stainless steel inox AISI 316L
Power Supply	350-500mA or 24 Vdc constant voltage
Power	4 W @350 mA - 6 W @500 mA ; 9 W @24 Vdc
Light Source	Power LED
Color Temperature	3000K ; 4000K ; 5000K
Ra	> 80
Chromatic Selection	Mac-Adam 2-step
Lifetime	> 50000 h (TM21)
Optics	Narrow beam 10° ; medium beam 25° ; wide beam 35° ; transparent diffuser 65° ; satin diffuser 67°
Tc metal body	< 90 °C
Ta operating temperature	- 30 ÷ 50 °C
Ts surface temperature	≤ 65 °C
Functions	On/Off ; dimmable
Cable	350/500 mA: AWM style 20233 2xAWG18 (Red;Black) Ø 5,2 L. 10 m. 24 Vdc: AWM style 20233 2xAWG18 (Red;Black)+1xAWG20 (Violet) Ø 6,2 L. 10 m.
Weigth	1170 g
Installations	Recessed in permanent immersion (wall, floor)
Norms	60598-1 ; 60598-2 and its parts



NOTE:

Power supplies, control&dimming devices and fixing kits must to be orderd separately. Aldabra power supply consumption is equal to 15% of the fixture nominal power. Photometric data available at www.aldabra.it

MUSA Monochromatic DATA-SHEET

GENERAL FEATURES:

	power @350 mA	power @500 mA	power @24 Vdc
MUS.01.XXXXX.X	4W	6W	
MUS.02.XXXXX.X			9W

OPTICAL FEATURES:

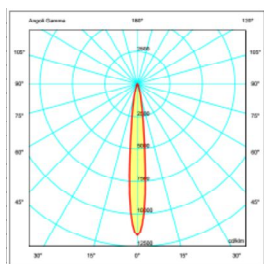
MUS.XX.MXXXX.X	Narrow beam 10°
MUS.XX.FXXXX.X	Medium beam 25°
MUS.XX.WXXXX.X	Wide beam 35°
MUS.XX.TXXXX.X	Transparent diffuser 65°
MUS.XX.SXXXX.X	Satn diffuser 67°

LED FEATURES:

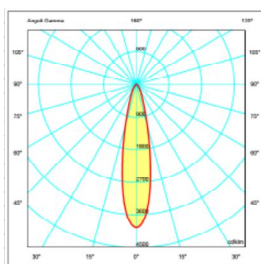
	Power LED	lm/W	Ra	Chromatic selection
MUS.XX.X27XX.X	3000K warm white	105	>80	MacAdam 2-step
MUS.XX.X30XX.X	4000K neutral white	118	>80	MacAdam 2-step
MUS.XX.X40XX.X	5000K cool white	130	>80	MacAdam 2-step

FINISHES FEATURES:

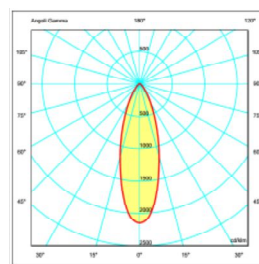
MUS.XX.XXXS1.X	Satin stainless steel
----------------	-----------------------



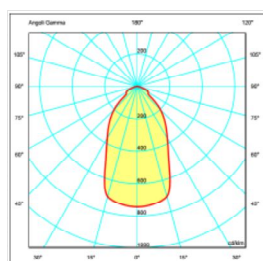
narrow beam 10°



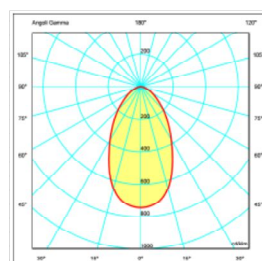
medium beam 25°



wide beam 35°

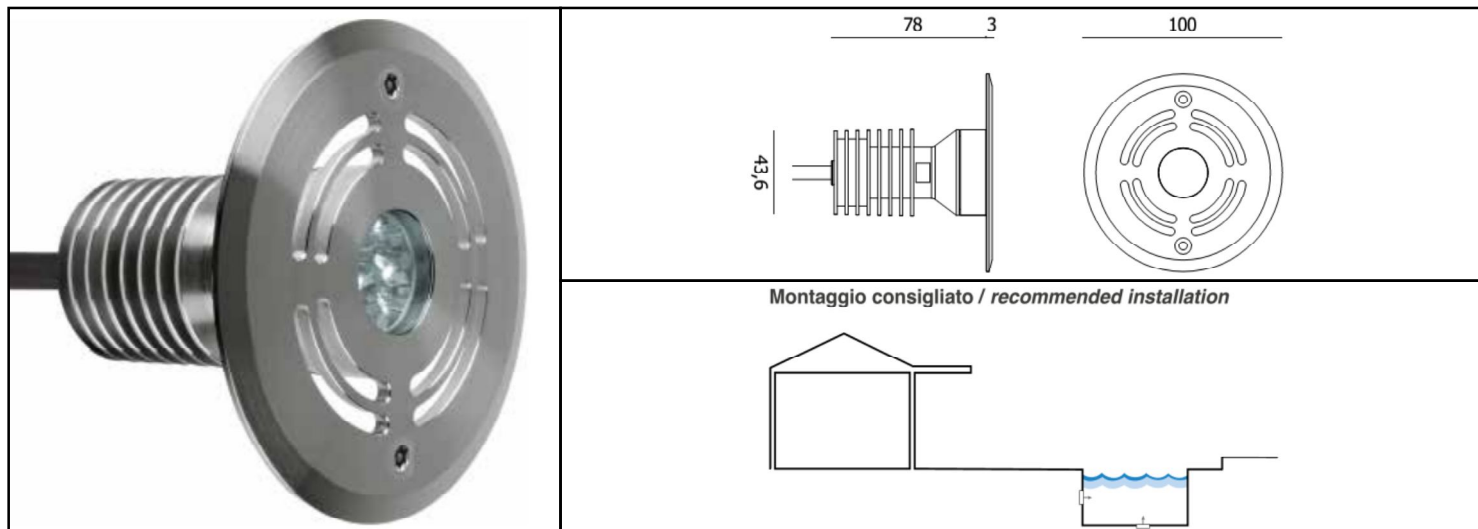


transparent diffuser 65°



satin diffuser 67°

MUSA RGB DATA-SHEET

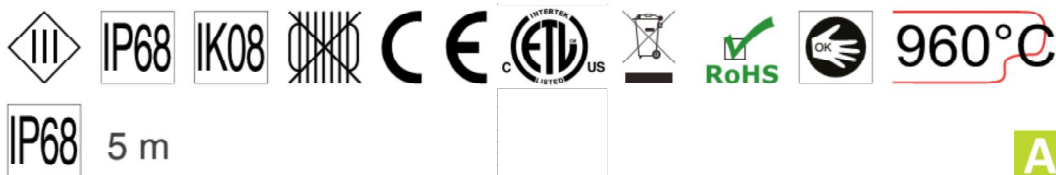


PRODUCT DESCRIPTION:

Recessed fixture suitable for underwater settings. Body Stainless steel AISI 316L and tempered flat transparent or satin glass. All the materials are suitable for use in swimming pools, fountains and with salt water. UV resistance of all materials.

TECHNICALS FEATURES:

Materials	Stainless steel inox AISI 316L ; Tempered flat transparent or satin glass
Front Finishes	Stainless steel inox AISI 316L
Power Supply	24 Vdc constant voltage
Power	4 W
Light Source	Power LED
Color Temperature	R=622nm, G=530nm, B=470nm
Lifetime	> 50000 h (L80B20)
Optics	Narrow beam 9° ; medium beam 25° ; wide beam 45° ; transparent diffuser 65° ; satin diffuser 67°
Tc metal body	< 90 °C
Ta operating temperature	- 30 ÷ 50 °C
Ts surface temperature	≤ 65 °C
Functions	On/Off ; dimmable
Cable	AWM style 20233 2xAWG18 (Red;Black)+3xAWG20 (R/b, G/b, B/b) L. 10 m.
Weigth	1170 g
Installations	Recessed in permanent immersion (wall, floor)
Norms	60598-1 ; 60598-2 and its parts



NOTE:

Power supplies, control&dimming devices and fixing kits must to be orderd separately. Aldabra power supply consumption is equal to 15% of the fixture nominal power. Photometric data available at www.aldabra.it

MUSA RGB DATA-SHEET

GENERAL FEATURES:

power @24 Vdc

MUS.02.XXXXX.X

4W

OPTICAL FEATURES:

MUS.XX.MXXXX.X

Narrow beam 9°

MUS.XX.FXXXX.X

Medium beam 25°

MUS.XX.WXXXX.X

Wide beam 45°

MUS.XX.TXXXX.X

Transparent diffuser 65°

MUS.XX.SXXXX.X

Satn diffuser 67°

LED FEATURES:

Power LED

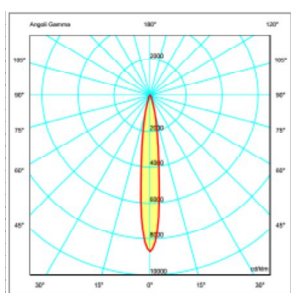
MUS.XX.X90XX.X

R, G, B

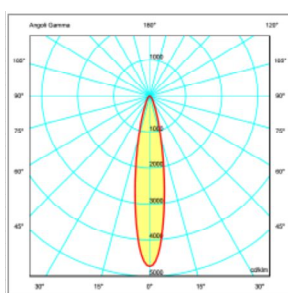
FINISHES FEATURES:

MUS.XX.XXXS1.X

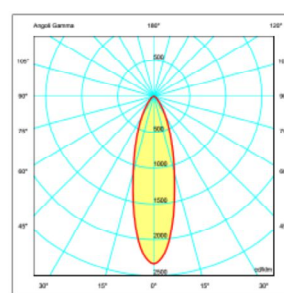
Satin stainless steel



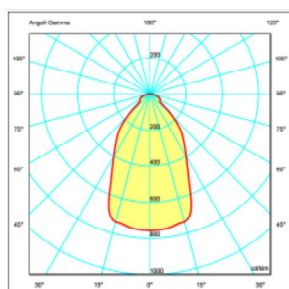
narrow beam 10°



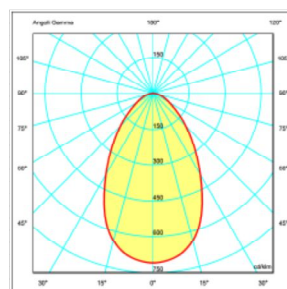
medium beam 25°



wide beam 35°



transparent diffuser 65°



satin diffuser 67°