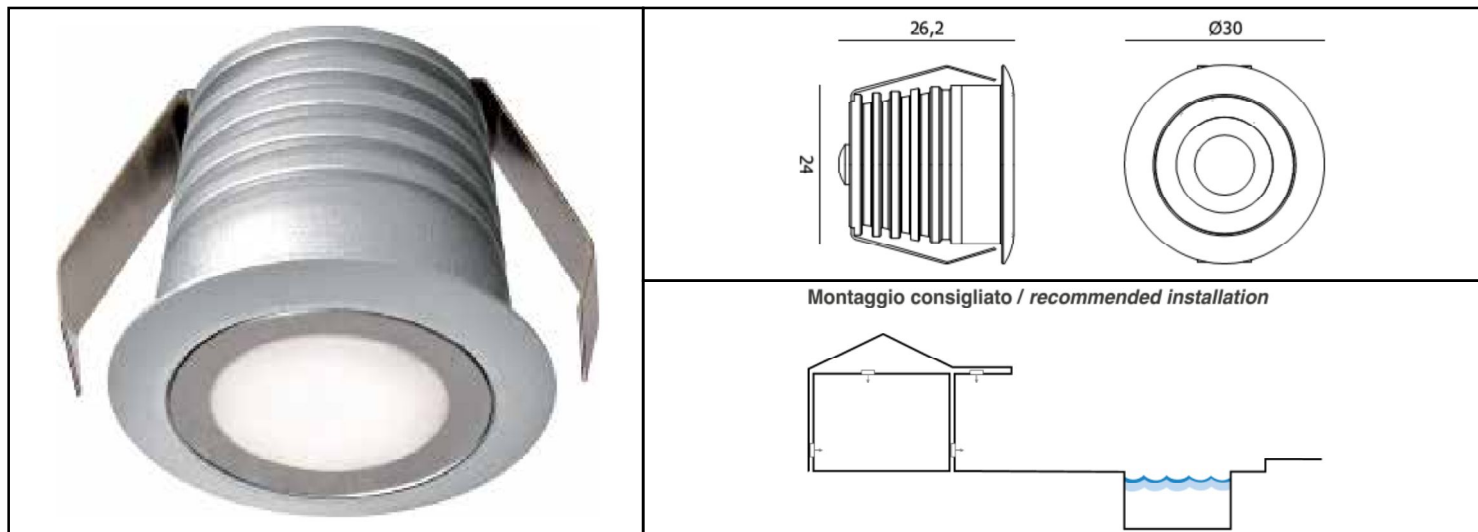


## MINI Monochromatic DATA-SHEET



### PRODUCT DESCRIPTION:

Recessed professional fixed spotlight suitable for indoor and outdoor settings.  
Body Anticorodal aluminium alloy EN AW-6060 and transparent or opal resin.  
UV resistance of all materials.

### TECHNICALS FEATURES:

<b>Materials</b>	Anticorodal aluminium alloy EN AW-6060 ; Stainless steel inox AISI 316L ; transparent or opal resin
<b>Front Finishes</b>	Anticorodal aluminium alloy EN AW-6060 and stainless steel inox AISI 316L
<b>Power Supply</b>	350/500 mA
<b>Power</b>	1 W @350 mA - 1,5 W @500 mA
<b>Light Source</b>	Power LED
<b>Color Temperature</b>	3000K ; 4000K
<b>Ra</b>	> 80
<b>Chromatic Selection</b>	Mac-Adam 2-step
<b>Lifetime</b>	> 50000 h (TM21)
<b>Optics</b>	medium beam 30° ; opal diffuser 111°
<b>Tc metal body</b>	< 90 °C
<b>Ta operating temperature</b>	- 30 ÷ 50 °C
<b>Ts surface temperature</b>	≤ 65 °C
<b>Functions</b>	On/Off ; dimmable
<b>Cable</b>	AWM style 20233 1x0,5mm <sup>2</sup> AWG20 (Red) + 1x0,5mm <sup>2</sup> AWG20 (Black) L. 0,5 m.
<b>Weigth</b>	28 g
<b>Installations</b>	Recessed (wall, ceiling)
<b>Norms</b>	60598-1 ; 60598-2 and its parts



### NOTE:

Power supplies, control&dimming devices and fixing kits must to be orderd separately. Aldabra power supply consumption is equal to 15% of the fixture nominal power.  
Photometric data available at [www.aldabra.it](http://www.aldabra.it)

## MINI Monochromatic DATA-SHEET

### GENERAL FEATURES:

	power @350 mA	power @500 mA
MIN.01.XXXXX.X	1W	1,5W

### OPTICAL FEATURES:

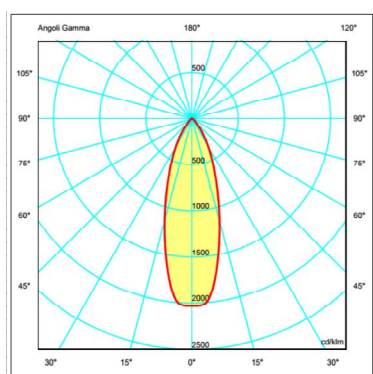
MIN.XX.FXXXX.X	Medium beam 30°
MIN.XX.DXXXX.X	Opal diffuser 111°

### LED FEATURES:

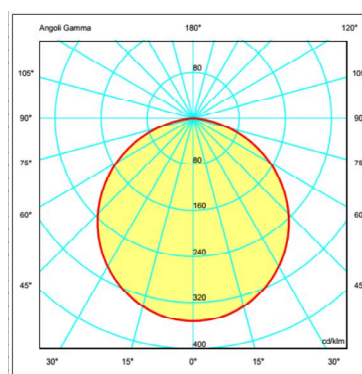
	Power LED	lm/W	Ra	Chromatic selection
MIN.XX.X30XX.X	3000K warm white	105	>80	MacAdam 2-step
MIN.XX.X40XX.X	4000K neutral white	130	>80	MacAdam 2-step

### FINISHES FEATURES:

MIN.XX.XXXA1.X	Aluminium anodized
----------------	--------------------



medium beam 30°



opal diffuser 111°