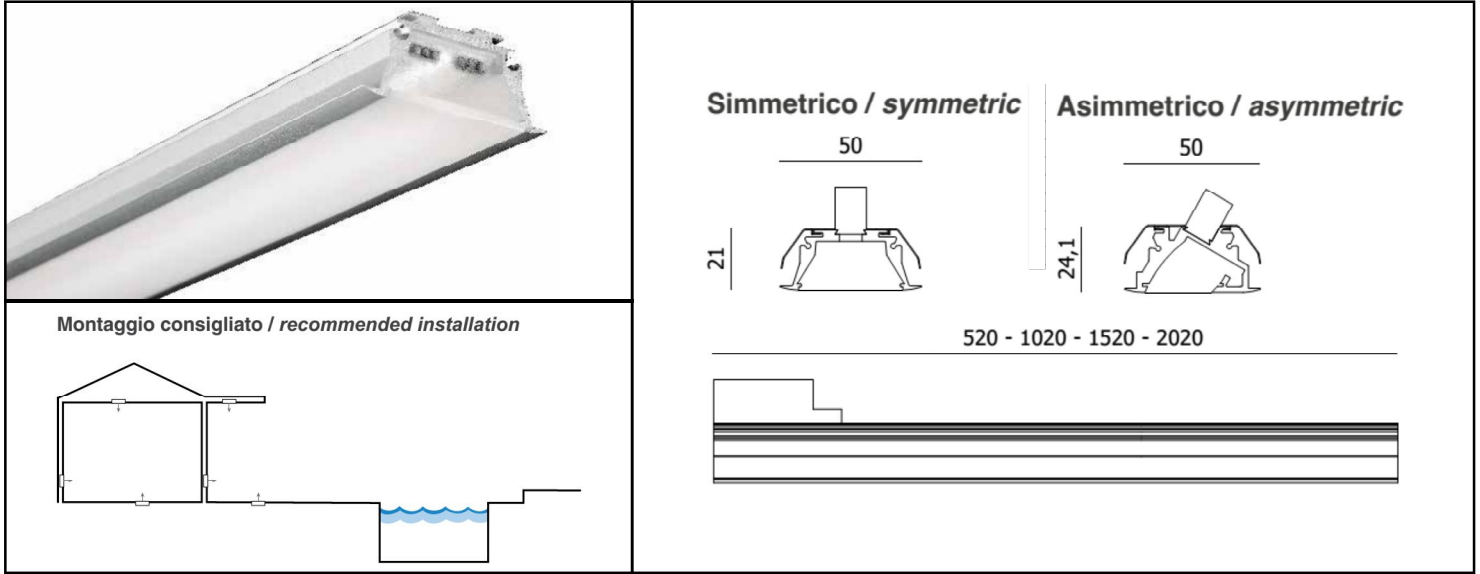


LINEA Mid Power LED Monochromatic DATA-SHEET



PRODUCT DESCRIPTION:

Professional recessed lighting system with symmetric and asymmetric light suitable for indoor and outdoor settings. Body finished aluminum with opaque and transparent resin. UV resistance of all materials.

TECHNICALS FEATURES:

Materials	Aluminium ; Resins
Finishes	Anodized Aluminium
Power Supply	24 Vdc constant voltage
Power	25 W/m
Light Source	Mid-Power LED
Pitch	10 mm
Color Temperature	3000K ; 3700K ; 5200K
Ra	> 80
Chromatic Selection	Mac-Adam 3-step
Lifetime	> 50000 h (TM21)
Optics	Simmetrical Transparent or Opal diffuser ; Asymmetrical Transparent
Tc metal body	< 90 °C
Ta operating temperature	- 30 ÷ 50 °C
Ts surface temperature	≤ 65 °C
Functions	On/Off ; dimmable
Cable	AWM style 20233 2xAWG18 (Red;Black)+1xAWG20 (Violet) L. 1m.
Weigth	650 g/m
Walk over	up to 500 Kg
Installations	Ground Wall or Ceiling recessed
Norms	60598-1 ; 60598-2 and its parts



NOTE:
Power supplies, control&dimming devices and fixing kits must to be orderd separately. Aldabra power supply consumption is equal to 15% of the fixture nominal power.
Photometric data available at www.aldabra.it

LINEA Mid Power LED Monochromatic DATA-SHEET

GENERAL FEATURES:

	power (W)	length (mm)	pitch (mm)
LIN.01.XXXXX.X	13	520	10
LIN.02.XXXXX.X	25	1020	10
LIN.03.XXXXX.X	37	1520	10
LIN.04.XXXXX.X	50	2020	10

OPTICAL FEATURES:

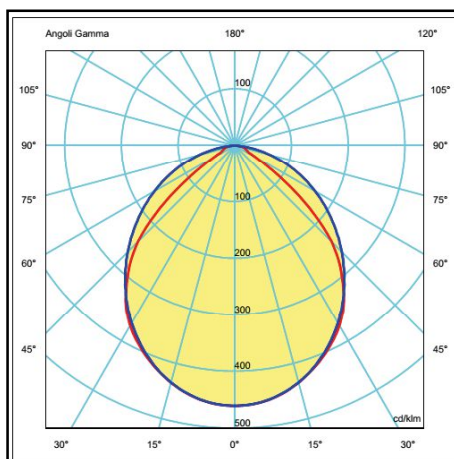
LIN.XX.AXXXX.X	Asymmetrics optics 91°
LIN.XX.TXXXX.X	Transparent diffuser 91°
LIN.XX.DXXXX.X	Opal diffuser 109°

LED FEATURES:

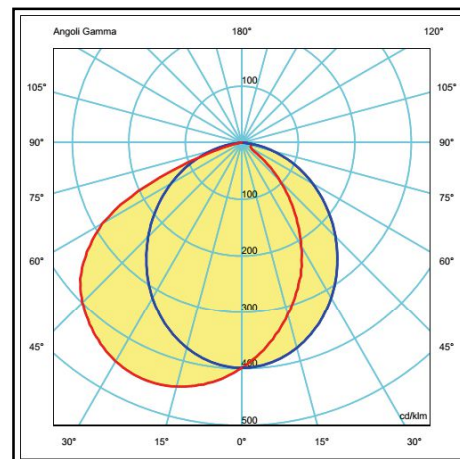
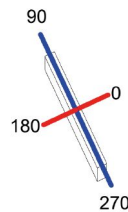
	Mid-Power LED	lm/W	lm/m	Ra	Chromatic selection
LIN.XX.X30XX.X	3000K warm white	106	1621	>80	MacAdam 3-step
LIN.XX.X37XX.X	3700K neutral white	121	1853	>80	MacAdam 3-step
LIN.XX.X52XX.X	5200K cool white	142	2161	>80	MacAdam 3-step

FINISHES FEATURES:

LIN.XX.XXXA1.X	Anodized Aluminium
----------------	--------------------



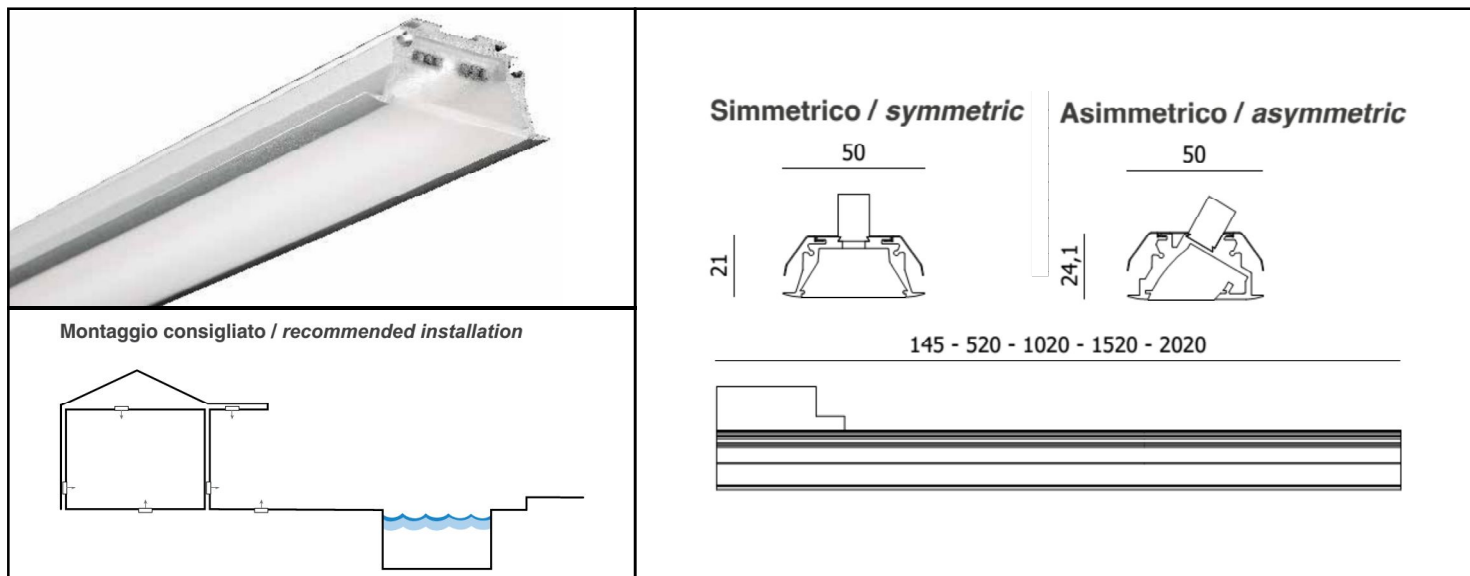
Symmetric



Asymmetric

LINEA Mid Power LED plus Monochromatic

DATA-SHEET



PRODUCT DESCRIPTION:

Professional recessed lighting system with symmetric and asymmetric light suitable for indoor and outdoor settings. Body finished aluminum with opaque and transparent resin. UV resistance of all materials.

TECHNICALS FEATURES:

Materials	Aluminium ; Resins
Finishes	Anodized Aluminium
Power Supply	24 Vdc constant voltage
Power	40 W/m
Light Source	Mid-Power LED
Pitch	5 mm
Color Temperature	3000K ; 3700K ; 5200K
Ra	> 80
Chromatic Selection	Mac-Adam 3-step
Lifetime	> 50000 h (TM21)
Optics	Simmetrical Transparent or Opal diffuser ; Asymmetrical Transparent
Tc metal body	< 90 °C
Ta operating temperature	- 30 ÷ 50 °C
Ts surface temperature	≤ 65 °C
Functions	On/Off ; dimmable
Cable	AWM style 20233 2xAWG18 (Red;Black)+1xAWG20 (Violet) L. 1m.
Weigth	650 g/m
Walk over	up to 500 Kg
Installations	Ground Wall or Ceiling recessed
Norms	60598-1 ; 60598-2 and its parts



NOTE:

Power supplies, control&dimming devices and fixing kits must to be orderd separately. Aldabra power supply consumption is equal to 15% of the fixture nominal power. Photometric data available at www.aldabra.it

LINEA plus Monochromatic

DATA-SHEET

GENERAL FEATURES:

	power (W)	length (mm)	pitch (mm)
LIN.09.XXXXX.X	5	145	5
LIN.05.XXXXX.X	20	520	5
LIN.06.XXXXX.X	40	1020	5
LIN.07.XXXXX.X	60	1520	5
LIN.08.XXXXX.X	80	2020	5

OPTICAL FEATURES:

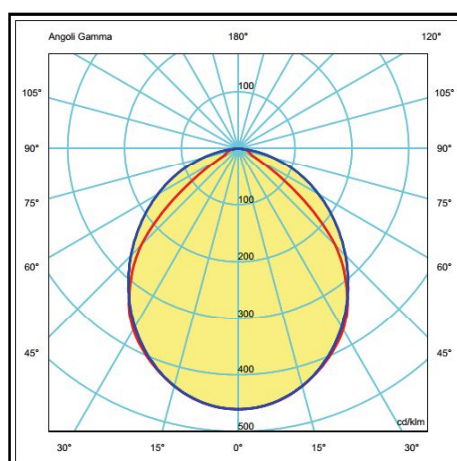
LIN.XX. A XXXX.X	Asymmetrics optics 91°
LIN.XX. T XXXX.X	Transparent diffuser 91°
LIN.XX. D XXXX.X	Opal diffuser 109°

LED FEATURES:

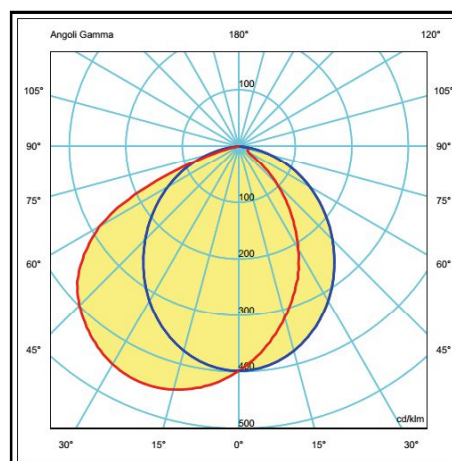
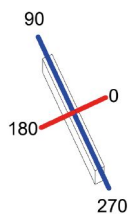
	Mid-Power LED	lm/W	lm/m	Ra	Chromatic selection
LIN.XX.X 30 XX.X	3000K warm white	106	3112	>80	MacAdam 3-step
LIN.XX.X 37 XX.X	3700K neutral white	121	3557	>80	MacAdam 3-step
LIN.XX.X 52 XX.X	5200K cool white	142	4150	>80	MacAdam 3-step

FINISHES FEATURES:

LIN.XX.XXX A1 .X	Anodized Aluminuim
-------------------------	--------------------

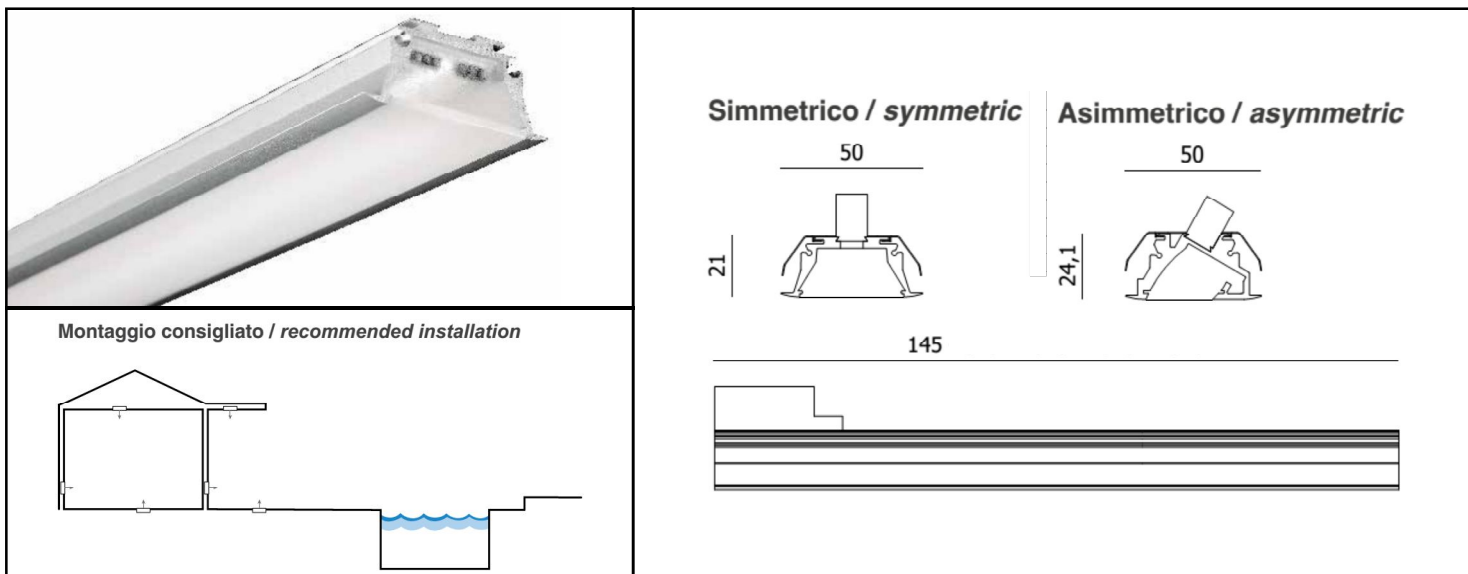


Symmetric



Asymmetric

LINEA Mid Power LED plus 110-240Vac Monochromatic DATA-SHEET



PRODUCT DESCRIPTION:

Professional recessed lighting system with symmetric and asymmetric light suitable for indoor and outdoor settings. Body finished aluminum with opaque and transparent resin. UV resistance of all materials.

TECHNICALS FEATURES:

Materials	Aluminium ; Resins
Finishes	Anodized Aluminium
Power Supply	110-240 Vac 50/60 Hz Mains Voltage
Power	7 W
Light Source	Mid-Power LED
Pitch	5 mm
Color Temperature	3000K ; 3700K ; 5200K
Ra	> 80
Chromatic Selection	Mac-Adam 3-step
Lifetime	> 50000 h (TM21)
Optics	Simmetrical Opal diffuser ; Asymmetrical Transparent
Tc metal body	< 90 °C
Ta operating temperature	- 30 ÷ 50 °C
Ts surface temperature	≤ 65 °C
Functions	On/Off
Cable	H05RNF 3X0,75mm ² (Brown-Blue-Yellow/green) Ø 6,1 mm L. 0.5 m
Weigth	100 g
Walk over	up to 500 Kg
Installations	Ground Wall or Ceiling recessed
Norms	60598-1 ; 60598-2 and its parts



NOTE:

Fixing kits must to be orderd separately.
Photometric data available at www.aldabra.it

LINEA Mid Power LED plus 110-240Vac Monochromatic DATA-SHEET

GENERAL FEATURES:

	power (W)	length (mm)	pitch (mm)
LIN.10.XXXXX.X	7	145	5

OPTICAL FEATURES:

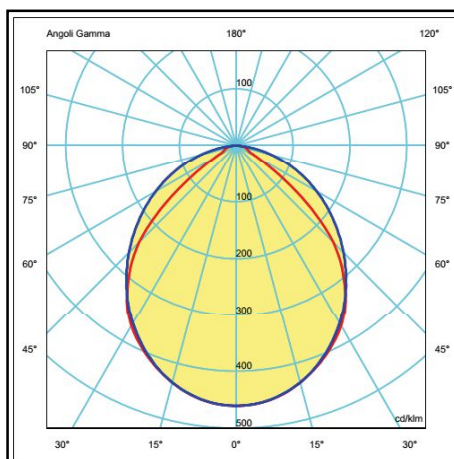
LIN.XX. A XXXX.X	Asymmetrics optics 91°
LIN.XX. D XXXX.X	Opal diffuser 109°

LED FEATURES:

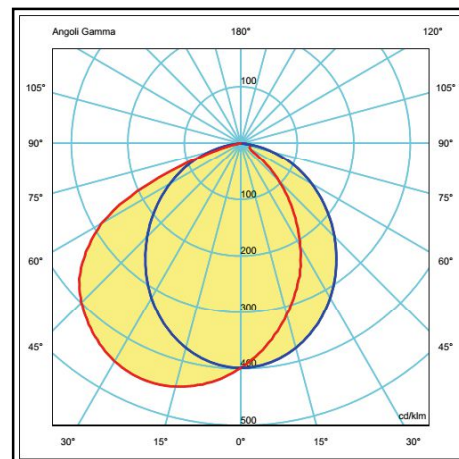
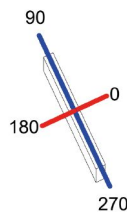
	Mid-Power LED	lm/W	Ra	Chromatic selection
LIN.XX.X 30 XX.X	3000K warm white	106	>80	MacAdam 3-step
LIN.XX.X 37 XX.X	3700K neutral white	121	>80	MacAdam 3-step
LIN.XX.X 52 XX.X	5200K cool white	142	>80	MacAdam 3-step

FINISHES FEATURES:

LIN.XX.XXX A1 .X	Anodized Aluminium
-------------------------	--------------------



Symmetric



Asymmetric