


Project: _____ Type: _____ Quantity: _____

The GL2B is a stylish bollard style fixture that can be used for garden, planter and walkway applications. Easy view diffuser provides ample light output while pleasing to the eye. The GL2B head design is extremely rugged and protects both the diffuser and light source from breakage. In addition the GL2B's waterproof light source makes it impervious to the elements.

All parts except for post are CNC machined from solid billet material. Select from standard post heights or choose custom. LED Module is easily replaced tool free. Suitable for wet location.

Specification

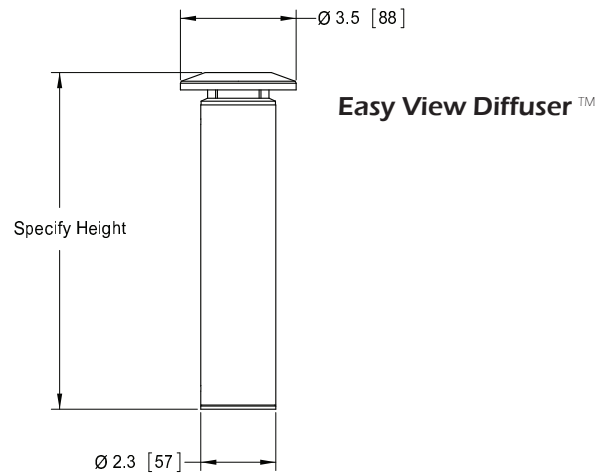
Light Source	GL2B LED Module*
LED Rated Life	50,000 hours average **
Low Voltage Input	10-18Vac
Power Consumption	5 Watts Maximum
Standard LED Color	3000K +/- 175 CCT Typical
CRI	93 Typical
Lens Diffuser	CNC Machined, Polished UV Resistant Acrylic
Cable Lead	2ft 18 AWG
Standard Mounting	Spike Mount, 1/2 inch conduit entry
Operating Temperature	-31F to 122F (-35C to 50C)
Maintenance	LED module Tool Free Service
Thermal Management	Fixture is utilized as heat sink
Ingress Protection	IP67
Certification	

* IES LM-80 Standard ensures led light source will provide lumen maintenance and color performance.

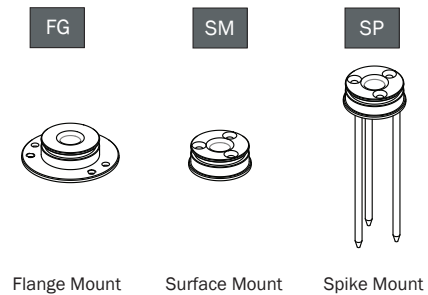
** LED life is defined as the time to 70% lumen maintenance (L70)

Remote Low Voltage Transformer Required

Dimensions inches [mm]



Mounting Options



Ordering Guide

Example: **GL2B-BR-27-9-N-SP** GL2B, Brass, 2700K, 9 inch Height, Natural Finish, Spike Mount

GL2B					
Prefix	Material	LED Color	Height	Finish	Mounting
AL - Aluminum BR - Brass CU - Copper	27 - Warm 2700K 30 - Warm 3000K NW - Neutral 4000K CW - Cool 5500K	9 - 9 inch 12 - 12 inch 18 - 18 inch 24 - 24 inch 36 - 36 inch C - Custom	N - Natural (<i>brass & copper only</i>) CA - Clear Anodize (<i>aluminum only</i>) BK - Black WT - White BN - Brown GN - Green MP - Silver NK - Nickel (<i>brass only</i>) PT - Living Patina (<i>brass & Copper only</i>) C - Custom	SM - Surface Mount SP - Spike Mount (Soil Applications) FG - Flange	



2880 Scott Street, # 107, Vista, CA 92081
 +1 760-734-1123 Tel +1 760-734-1176 Fax
 www.dglights.com info@dglights.com

