


Project: _____ Type: _____ Quantity: _____

The Estrella is a compact submersible luminaire suitable for small to medium size water features. Available in different wattages and beam spreads to control light output. Power cable can be specified in standard 15 ft length or in custom 5 ft increments. Constructed from solid brass billet to withstand years of underwater service.

The versatile Estrella is available in multiple wattages and lens options. Compatible with CR1 (2 Watt) and CR3 (5 Watt) led modules. Suitable for use underwater applications up to 3 feet [1 meter].

Specification

Light Source	C-Socket™ Quick Change™ CR LED Module *
LED Rated Life	50,000 hours average **
Input	CR1 6-15Vac, CR3 11-15Vac
Power Consumption	CR1 2 Watts, CR3 5 Watts
Standard LED Color	2700K +/- 175 CCT Typical
CRI	80 Typical
Cable Lead	15ft 18-2 SJOOW
Standard Mounting	Wide Base
Operating Temperature	-31F to 122F (-35C to 50C)
Maintenance	Field serviceable Driver Cable and LED module
Thermal Management	Fixture is utilized as heat sink
Ingress Protection	IP68 at 3ft [1m]
Certification	

* IES LM-80 Standard ensures led light source will provide lumen maintenance and color performance.

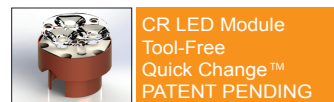
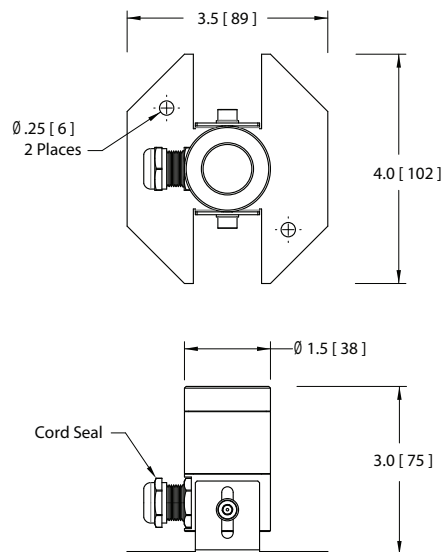
** LED life is defined as the time to 70% lumen maintenance (L70)

Remote Low Voltage Transformer Required

Features

- Interchangeable LED Modules 2, 5, 8 Watt
- Interchangeable Optics
- IP68
- Recessed light source for glare control

Dimensions inches [mm]



Ordering Guide

Example: **ES-CR1-40-W60-0** Estrella, CR1 LED Module, 4000K, W60 Beam, No Weighted Base

ES				
Prefix	Module	LED Color	CR1 Beam	Weighted Base
	CR1 - 2 Watt	27 - 2700K	N16 - 16 deg	0 - None
	CR3 - 5 Watt	30 - 3000K	M30 - 30 deg	WB - Weighted Base
		40 - 4000K	W60 - 60 deg	
		55 - 5500K	W80 - 80 deg	
		AM - Amber	F115 - 115 deg	
		RD - Red		
		GN - Green	CR3 Beam	
		BL - Blue	N16 - 16 deg	
			M26 - 26 deg	
			W37 - 37 deg	
			F115 - 115 deg	



2880 Scott Street, # 107, Vista, CA 92081
 +1 760-734-1123 Tel +1 760-734-1176 Fax
 www.dglights.com info@dglights.com

